

10G Active Mux (6x4) with Integrated Re-timers for USB3.2/DisplayPort1.4

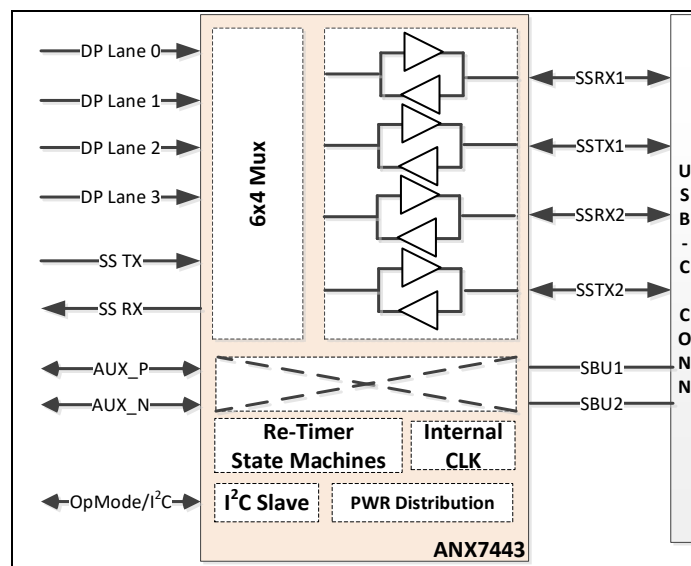
ANX7443 is a re-timing mux capable of switching DisplayPort (DP) and USB3.2 Gen 2 10Gbps signals to support a single USB Type-C™ (USB-C™) port. ANX7443 has built-in re-timers to recover both the USB and DP signals with loss compensation of 23dB for USB and up to 27dB for DP. ANX7443 supports Separate Reference Clock Independent SSC (SRIS) and Bit-Level Re-timer (BLR) architectures for a hybrid implementation for Gen 1 and Gen 2. SRIS re-timer eliminates jitter transfer and guarantee Gen 2 high-speed operation. Host (source) and device (sink) applications are fully supported by ANX7443 with built-in intelligent switching. With the intelligent digital switching, ANX7443 ensures the enhanced signals from the re-timers are preserved and outputted over the USB-C connector. ANX7443 integrates the local reference clock and SBU/AUX mux for switching DP AUX signals and reducing overall system BOM cost.

Features

- Built-in re-timers
 - Integrated re-timers for USB3.2 up to Gen 2 @ 10Gbps
 - Supports both Separate Reference Clock Independent SSC (SRIS) and Bit-Level Re-timer (BLR) Architectures of USB3.2 Specification (Appendix-E)
 - Integrated re-timers (Link training-tunable PHY repeater) for DisplayPort up to HBR3 @ 8.1Gbps. Supports both transparent mode and non-transparent mode (transparent or LTTPR)
 - Supports both host (source) and device (sink) applications in USB-C subsystems
 - Loss compensation to recover up to 23dB channel loss (USB), up to 27dB (DP)
- Integrated mux
 - Integrated (6x4) mux switches USB and DP signals and preserves enhanced signal output over USB-C connector
 - Mux control input through I2C commands from external I2C master (or, optionally through GPIO of FLIP/USB_EN/DP_EN pins)
 - Integrated SBU/AUX mux for switching DisplayPort AUX +/- signals
- Integrated reference clock
- Serial control interfaces
 - I²C Slave interface, up to 1MHz, for mux and re-timer configuration
- Industry standard compatibility
 - USB3.2 specification, Appendix E
 - DisplayPort 1.4a specification
 - USB Type-C r1.2 specification
 - Intel USB3.2 Repeater and Active Switch specification
- Low-power design
 - Analog power supply at 1.8V
 - I/O power supply at 1.8V
 - Core power supply at 1.2V
- Package
 - QFN-60, 6.4mm x 6.4mm, 0.90mm Z-height, 0.35mm pin-pitch
- Commercial temperature range of 0C to 70C

Applications

Notebooks, desktops, docking



Related Products

Part Number	Description
ANX7431	USB3.2 (10G) 1x2 Active Switch USB-C Re-timer
ANX7433	10G Active Mux (1x2) with Integrated Re-timer and CC Detection for USB 3.2
ANX7451	10G Active Mux (4x4) with Integrated Re-timers for USB3.2/DisplayPort
ANX7491	USB 3.2 (10G) 1-Port Type-A Re-timer
ANX7497	DisplayPort 4-lane Re-timer

Copyright ©2018 Analogix Semiconductor, Inc.
3211 Scott Blvd., Suite 100
Santa Clara, CA 95054, USA
+1 (408) 988-8848

<http://www.analogix.com/>

©2018 Analogix Semiconductor, Inc. All Rights reserved.

THE INFORMATION CONTAINED IN THIS DOCUMENT IS PROVIDED "AS IS" WITHOUT ANY EXPRESS REPRESENTATIONS OF WARRANTIES. IN ADDITION, ANALOGIX SEMICONDUCTOR INC. DISCLAIMS ALL IMPLIED REPRESENTATIONS AND WARRANTIES, INCLUDING ANY WARRANTY OF MERCHANTABILITY, FITNESS FOR A PARTICULAR PURPOSE, OR NON-INFRINGEMENT OF THIRD PARTY INTELLECTUAL PROPERTY RIGHTS.

This document contains proprietary information of Analogix Semiconductor, Inc. or under license from third parties. No part of this document may be reproduced in any form or by any means or transferred to any third party without the prior written consent of Analogix Semiconductor, Inc.

The information contained in this document is not designed or intended for use in on-line control of aircraft, aircraft navigation or aircraft communications; or in the design, construction, operation or maintenance of any nuclear facility. Analogix disclaims any express or implied warranty of fitness for such uses.

Analogix Semiconductor, Inc., the Analogix Logo, and WideEye™ SerDes, CoolHD™, and SlimPort® are trademarks of Analogix Semiconductor, Inc., in the United States and other countries.

HDMI, the HDMI logo and High-Definition Multimedia Interface are trademarks or registered trademarks of HDMI Licensing LLC.

DisplayPort and the DisplayPort logo are trademarks or registered trademarks of the Video Electronics Standards Association, VESA®.

USB and the USB logo are trademarks or registered trademarks of USB Implementers Forum, Inc., creators of USB technology.

All other trademarks and registered trademarks are the property of their respective owners.