



**MediaTek
MT6169V
RF Transceiver**

**Partial Circuit Analysis
of the Input Circuits**

MediaTek MT6169V
RF Transceiver
Partial Circuit Analysis Report

Some of the information in this report may be covered by patents, mask and/or copyright protection. This report should not be taken as an inducement to infringe on these rights.

© Chipworks Inc. 2015 all rights reserved. Chipworks and the Chipworks logo are registered trademarks of Chipworks Inc.

This report is provided exclusively for the use of the purchasing organization. It can be freely copied and distributed within the purchasing organization, conditional upon the accompanying Chipworks accreditation remaining attached.

Distribution of the entire report outside of the purchasing organization is strictly forbidden. The use of portions of the document for the support of the purchasing organization's corporate interest (e.g., licensing or marketing activities) is permitted, as defined by the fair use provisions of the copyright act. Accreditation to Chipworks must be attached to any portion of the reproduced information.

CAR-1510-202
30019JSBL

Revision 1.0 Published: October 23, 2015

Overview

Introduction

Brief Design Overview

Component Descriptions

Device Summary

References

Figures

To view, please click on the appropriate bookmark in the panel on the left.

- 0.1.1 Package Markings
- 0.1.2 Package X-Ray
- 0.1.3 Die Markings
- 0.2.1 Die Photograph
- 0.2.2 Annotated Die Photograph
- 0.2.3 Die Architecture

Schematics

- 1.0.0 TX Input First Stage**
- 2.0.0 Input Impedance Control**
- 3.0.0 Control Logic**
- 4.0.0 Variable Resistor 1**
- 5.0.0 Variable Resistor 2**
- 6.0.0 Amplifier**
- 7.0.0 Feedback Resistor**

8.0.0 Variable Capacitor 1

- 8.1.0 Capacitor 1
- 8.2.0 Capacitor 2
- 8.3.0 Capacitor 3
- 8.4.0 Capacitor 4
- 8.5.0 Capacitor 5
- 8.6.0 Capacitor 6
- 8.7.0 Capacitor 7
- 8.8.0 Capacitor 8
- 8.9.0 Capacitor 9
- 8.10.0 Capacitor 9A

9.0.0 Variable Capacitor 2

- 9.1.0 Capacitor 5
- 9.2.0 Capacitor 9
- 9.3.0 Capacitor 9A

10.0.0 Output Resistor

[About Chipworks](#)

Introduction

The MediaTek MT6169V is a radio frequency (RF) transceiver integrated circuit accompanying the MT6290 LTE modem. It supports up to eight primary RF inputs (three high bands, two mid bands, and three low bands), plus another eight RF inputs for diversity gains. The RF chip supports more than 30 3GPP bands and is configurable to meet the RF band needs of mobile operators globally [1].

The MT6169V houses the AM10263B die with a date marking of October 30, 2013. The die measures 2.44 mm x 3.88 mm. It was manufactured in a 40 nm CMOS process. Chipworks bases this estimate on the minimum contacted gate pitch, minimum metal 1 pitch, and minimum transistor gate length measurements.

This partial Circuit Analysis report presents the first stage of one of the two inphase/quadrature TX input circuits from the input pins. The report includes the following major functional sub-blocks/sub-circuits:

- Input Impedance Control ([Schematic 2.0.0](#))
- Control Logic ([Schematic 3.0.0](#))
- Variable Resistor 1 ([Schematic 4.0.0](#))
- Variable Resistor 2 ([Schematic 5.0.0](#))
- Amplifier ([Schematic 6.0.0](#))
- Feedback Resistor ([Schematic 7.0.0](#))
- Variable Capacitor 1 ([Schematic 8.0.0](#))
- Variable Capacitor 2 ([Schematic 9.0.0](#))
- Output Resistor ([Schematic 10.0.0](#))

Brief Design Overview

The TX input circuits of the MT6169V includes two identical lowpass filtering amplifiers for the two pairs of inphase and quadrature signals from four pads. [Schematic 2.0.0](#) shows the simple ESD and programmable resistor circuits. The resistors are likely used for input impedance control and as a part of the gain control along with the programmable feedback resistors ([Schematic 7.0.0](#)). There are also two resistors ([Schematics 4.0.0](#) and [5.0.0](#)) tapped on the input of the TX input stage and connect to an analog block adjacent to the TX phase-locked loop (PLL). The amplifier shown in [Schematic 6.0.0](#) includes a mid-voltage clamp circuit to ensure the mid-voltages of the two paired output signals, VOP/VON, are at the reference voltage VMRF.

Component Descriptions

The MT6169V is fabricated in a low power RF CMOS process and features a variety of active and passive components. The active components are MOS devices. Planar views of all devices at all layers of the process can be viewed within the ICWorks Browser.

NMOS, NMOS4, PMOS, and PMOS4

Standard MOS transistors (N-type and P-type). These devices have the following parameters associated with them in the schematics:

- Instance name (e.g., N15255 in [Schematic 2.0.0](#))
- Gate width/gate length in μm of the unit device
- The number of unit devices (m) making up the total device

RPOLY

Resistors formed using the polysilicon layer with silicide exclusion. These devices have the following parameters associated with them in the schematics:

- Instance name (e.g., R17644 in [Schematic 2.0.0](#))
- Type of resistor (RPOLY)
- The total number of squares in the resistor (sq)

More information is available for each resistor in the ICWorks Browser by selecting an instance and using the query (q) function. There, the following parameters are available:

- r – The total number of squares in the resistor
- m – The number of identical resistor segments in parallel making up the total resistor
- s – The number of identical resistor segments in series making up the total resistor
- w – The width of each resistor segment
- l – The length of each resistor segment

MediaTek MT6169V
RF Transceiver
Partial Circuit Analysis Report

This report contains the following information:

- a full set of schematics with device size measurements, organized in a hierarchical manner
- package, X-ray, die markings, and die photographs
- device summary

Accompanying this report are the full hierarchical schematics in the ICWorks Browser. This schematic viewing tool allows you to interactively view all the schematics. You can select instances, wires, or areas (left mouse button), highlight nets (b), and query devices (q). You can easily browse down (Shift-E) and up (Ctrl-E) the schematic hierarchy. You can cross-probe from devices, groups of devices, or blocks in the schematics to the annotated images (function key F7). All annotations and layer images are visible at very high resolution, and can be viewed by using the - and + keys. You can use the ruler to measure any feature in the image. Cross-probing also works in the reverse direction, from annotated images to schematics (F7). The ICWorks Browser can write many formats of netlists including SPICE, Verilog, VHDL, and EDIF200. The “help” pull-down menu in the tool includes a bindkey reference and short tutorial to help you get started. Chipworks highly recommends that these schematics be viewed with the ICWorks Browser.

Click here to launch [ICWorks Browser](#).

All of the information in this report was derived by Chipworks from high magnification photographs and microscopy observations of the following sample:

MediaTek MT6169V
Device Type: RF transceiver
Date Code: 1427
Die Markings: <MediaTek logo> AM10263B
OCT_30_2013

Device Summary

Part Identification

Manufacturer	MediaTek
Part number	MT6169V
Type	RF Transceiver
Die markings	<MediaTek logo> AM10263B OCT_30_2013
Date code	1427-AMAH
Package	Ball grid array (BGA)

Functional Information

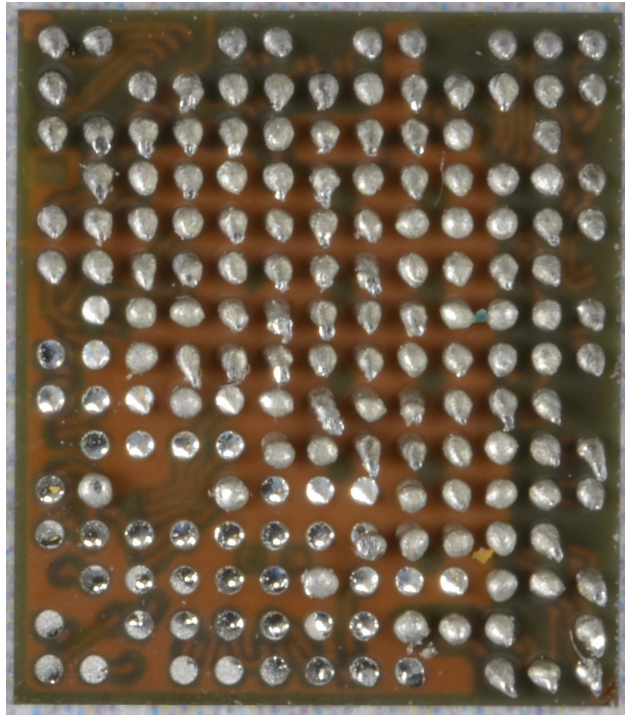
Process	40 nm
Technology	Low power RF CMOS
Metal interconnect layers	7
Poly interconnect layers	1

Peripheral Feature Sizes

PMOS/NMOS gate lengths	40 nm/40 nm
Metal 1 pitch	130 nm
Contacted gate pitch	160 nm
Technology node	45 nm/40 nm

References

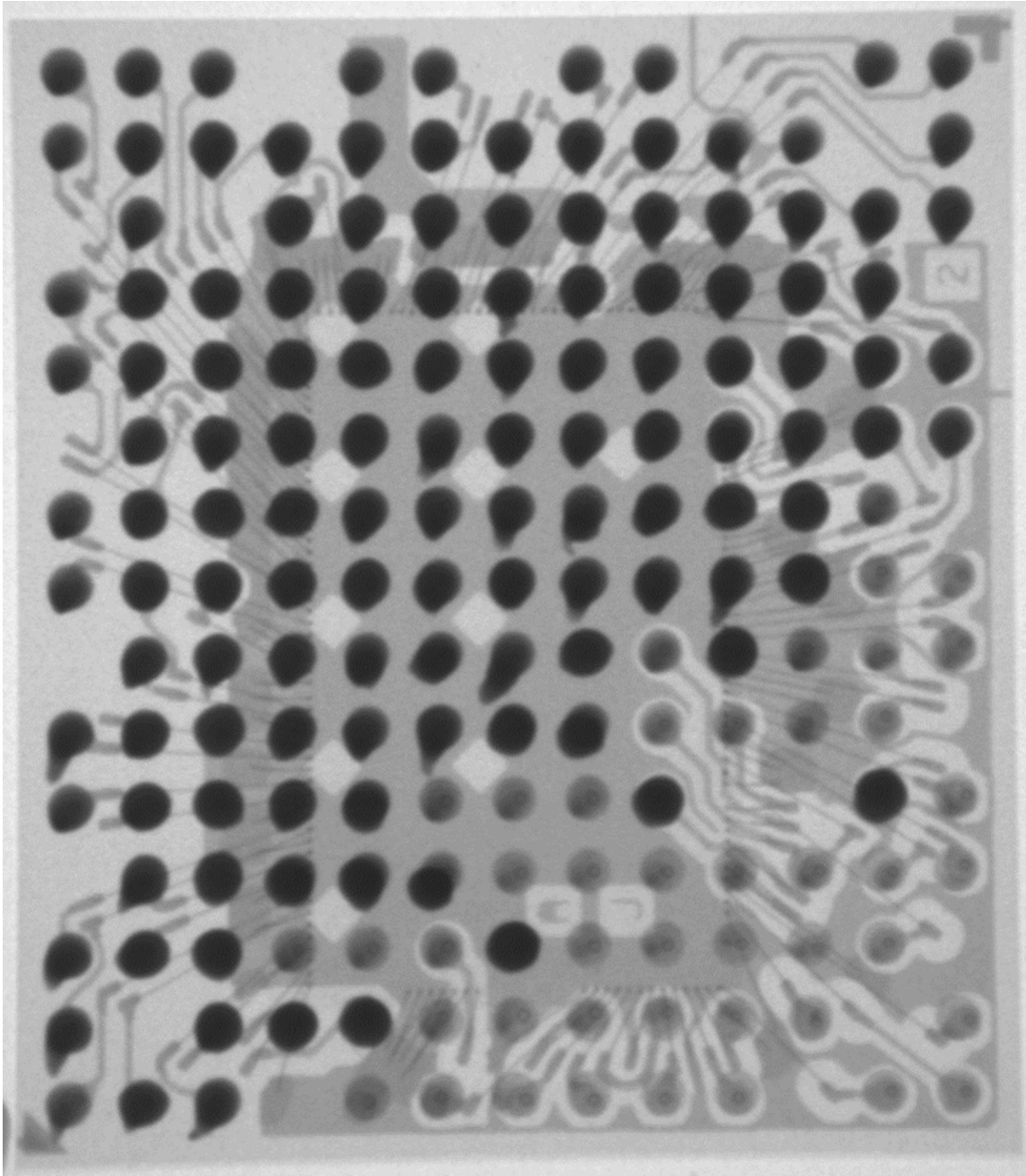
- [1] "MediaTek Announces the Availability of Multimode LTE Modem Chipset,"
<http://www.mediatek.com/en/news-events/mediatek-news/mediatek-announces-the-availability-of-multimode-lte-modem-chipset/>



0.1.1 Package Markings

MediaTek MT6169V

Device Type: RF Transceiver
Die Markings: <MediaTek logo> AM10263B
OCT_30_2013
Date Code: 1427



0.1.2 Package X-Ray

MediaTek MT6169V

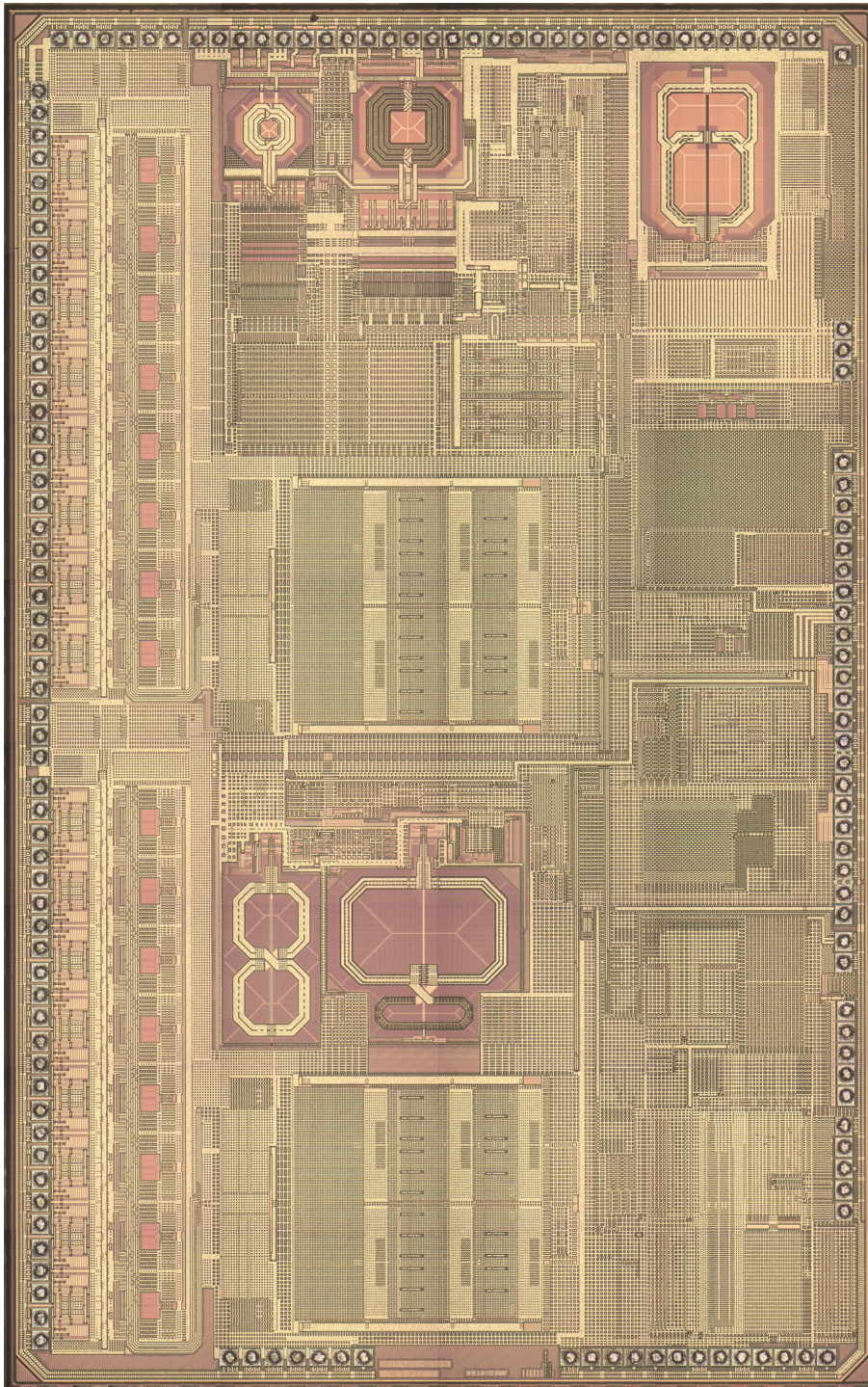
Device Type: RF Transceiver
Die Markings: <MediaTek logo> AM10263B
OCT_30_2013
Date Code: 1427



0.1.3 Die Markings

MediaTek MT6169V

Device Type: RF Transceiver
Die Markings: <MediaTek logo> AM10263B
OCT_30_2013
Date Code: 1427

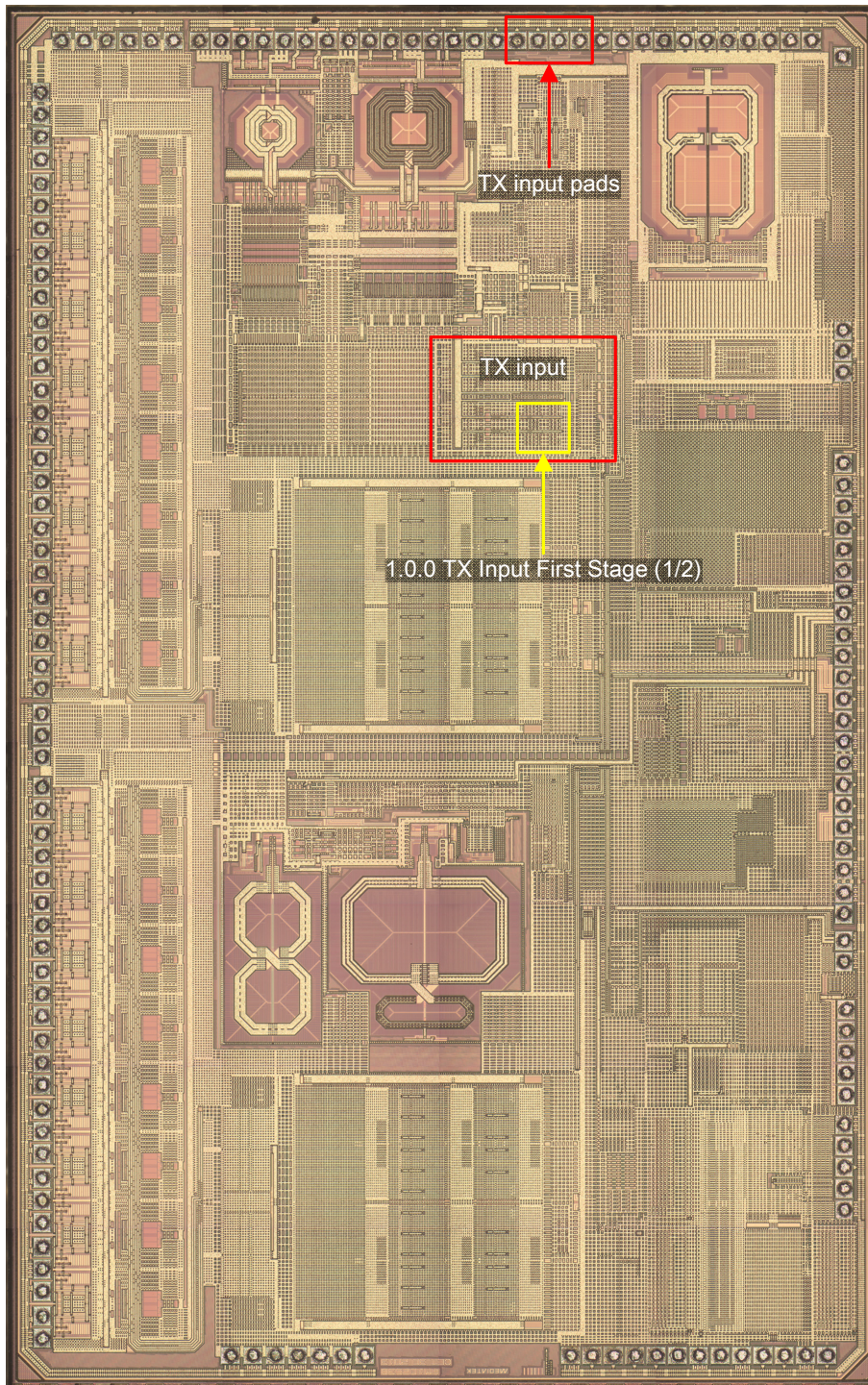


0.2.1 Die Photograph

Die Size: 2.44 mm x 3.88 mm = 9.5 mm²

MediaTek MT6169V

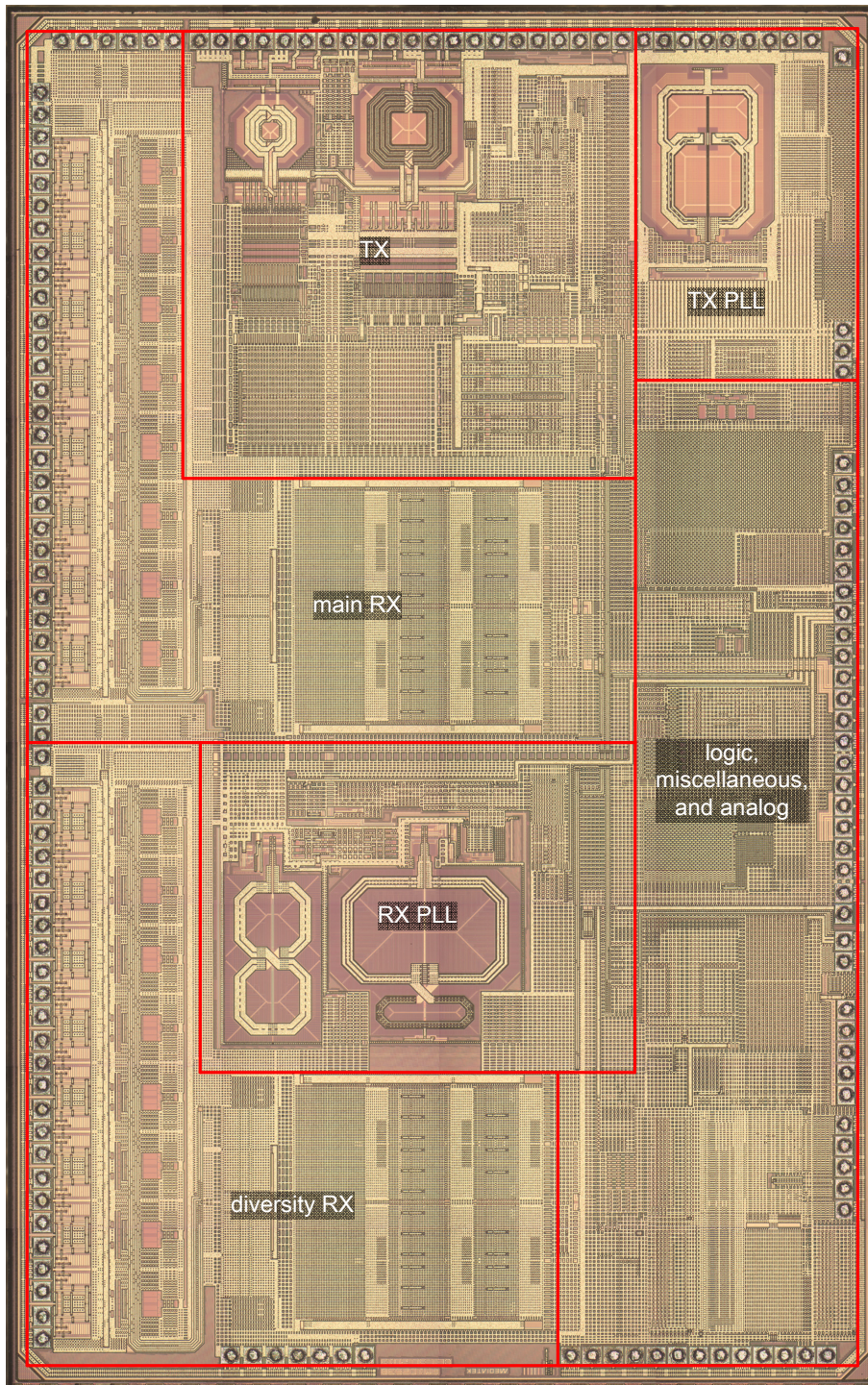
Device Type: RF Transceiver
Die Markings: <MediaTek logo> AM10263B
OCT_30_2013
Date Code: 1427



0.2.2 Annotated Die Photograph

MediaTek MT6169V

Device Type: RF Transceiver
Die Markings: <MediaTek logo> AM10263B
OCT_30_2013
Date Code: 1427



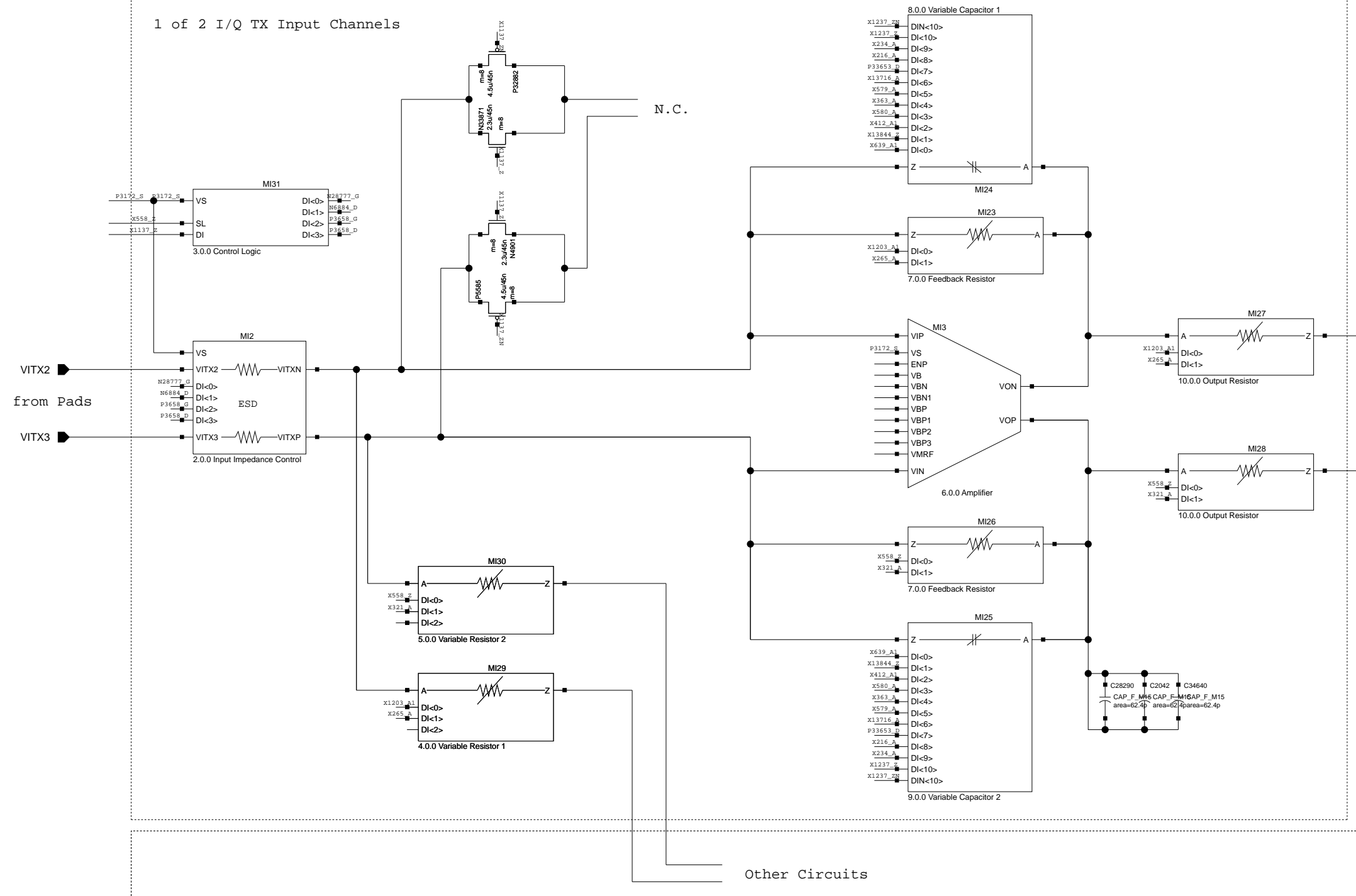
0.2.3 Die Architecture

MediaTek MT6169V

Device Type: RF Transceiver
Die Markings: <MediaTek logo> AM10263B
OCT_30_2013
Date Code: 1427

2 of 2 I/Q TX Input Channels

1 of 2 I/Q TX Input Channels



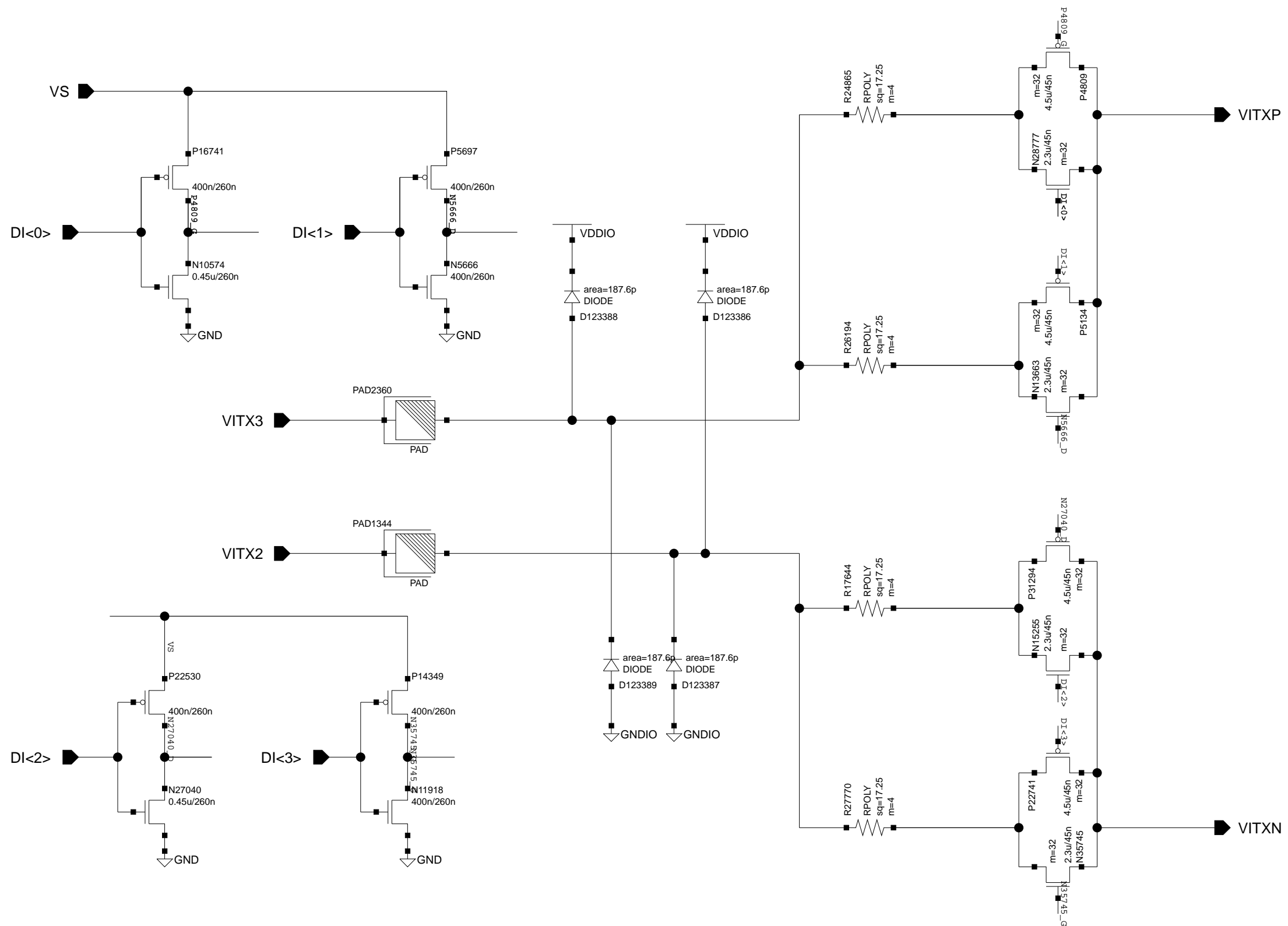
To Next Stage

1.0.0 TX Input First Stage

MediaTek MT6169V

Device Type: RF Transceiver
 Die Markings: <MediaTek logo> AM10263B
 OCT_30_2013
 Date Code: 1427



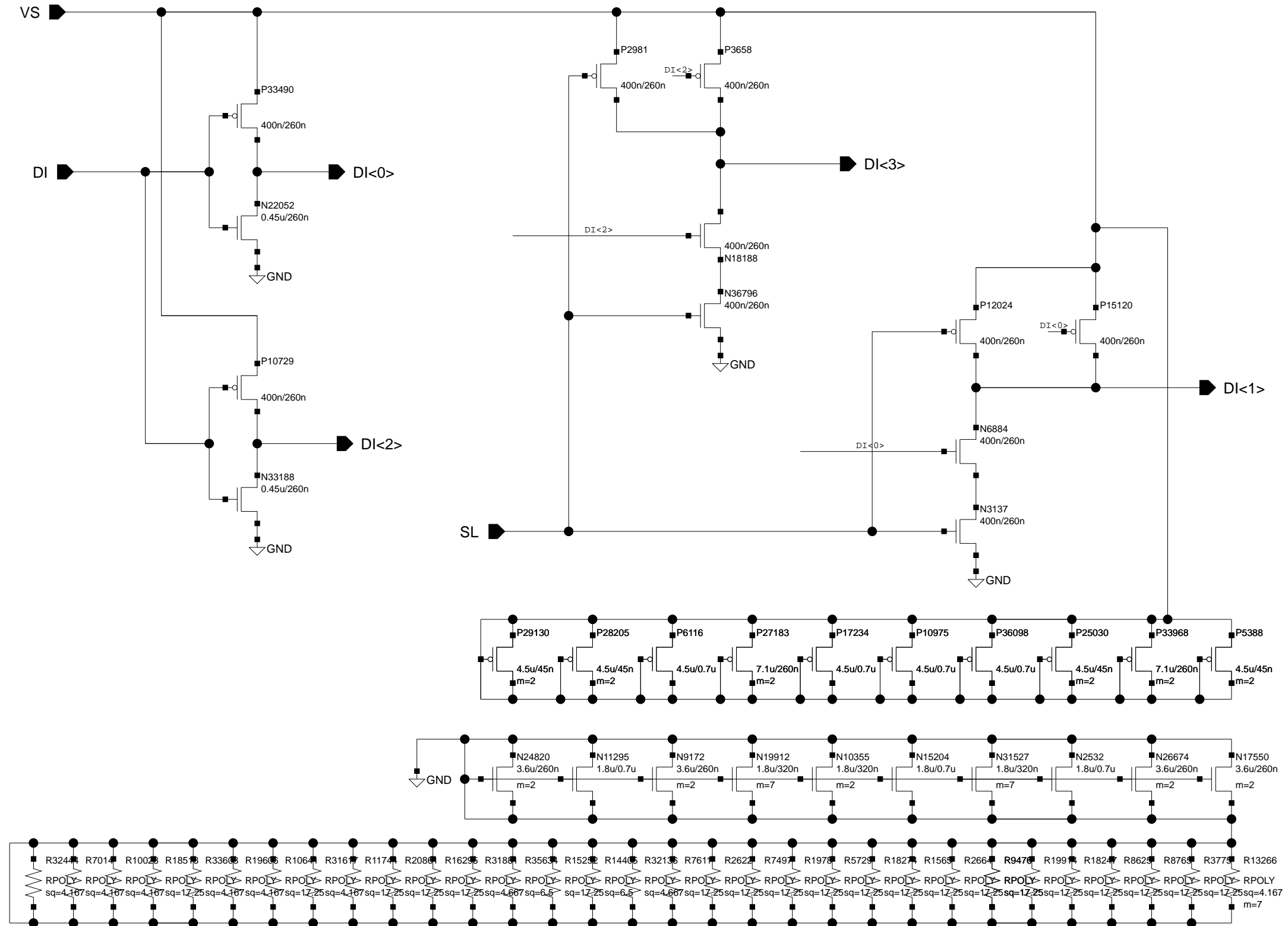


2.0.0 Input Impedance Control

MediaTek MT6169V

Device Type: RF Transceiver
 Die Markings: <MediaTek logo> AM10263B
 OCT_30_2013
 Date Code: 1427





3.0.0 Control Logic

MediaTek MT6169V

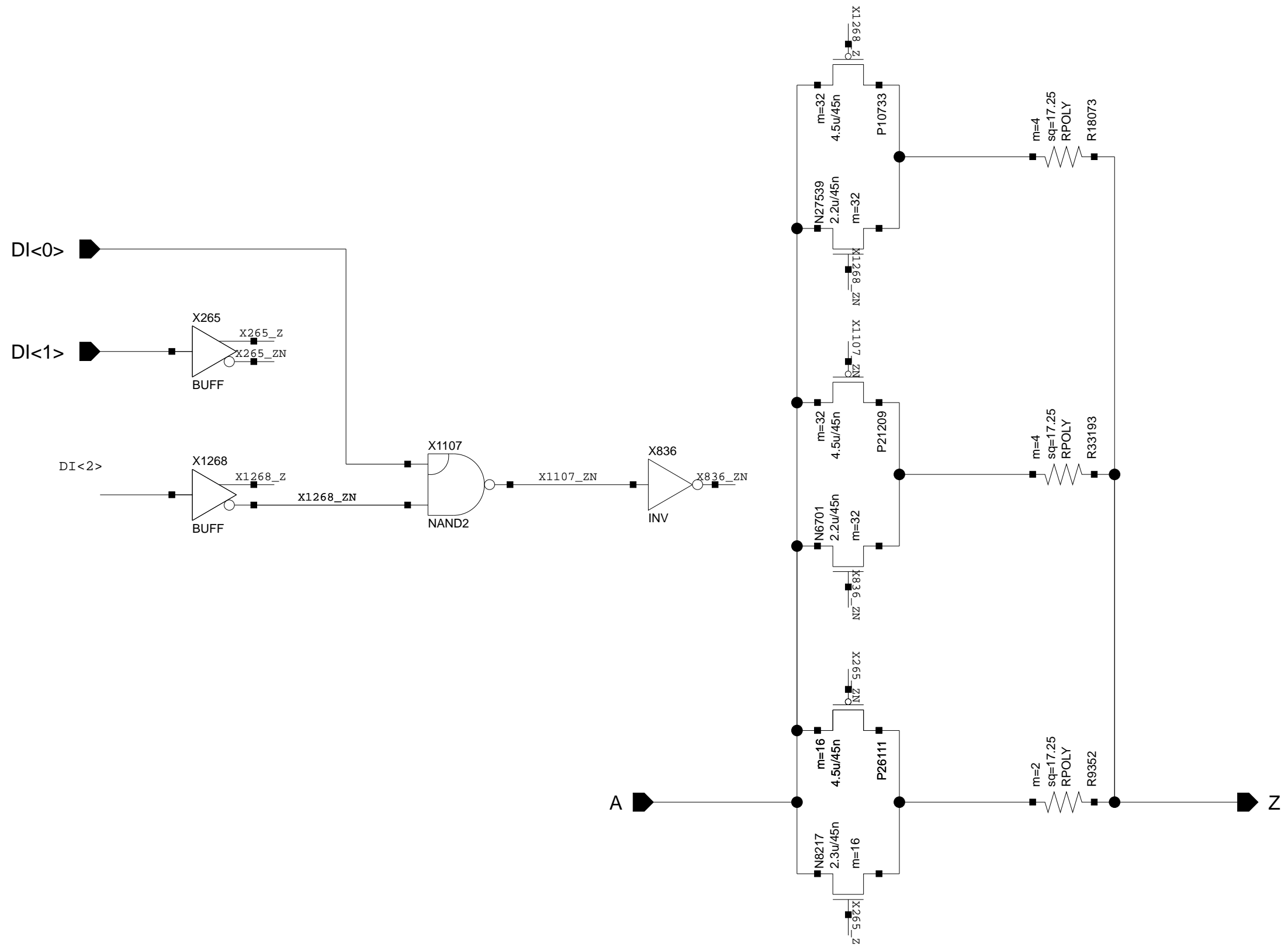
Device Type: RF Transceiver

Die Markings: <MediaTek logo> AM10263B

OCT_30_2013

Date Code: 1427



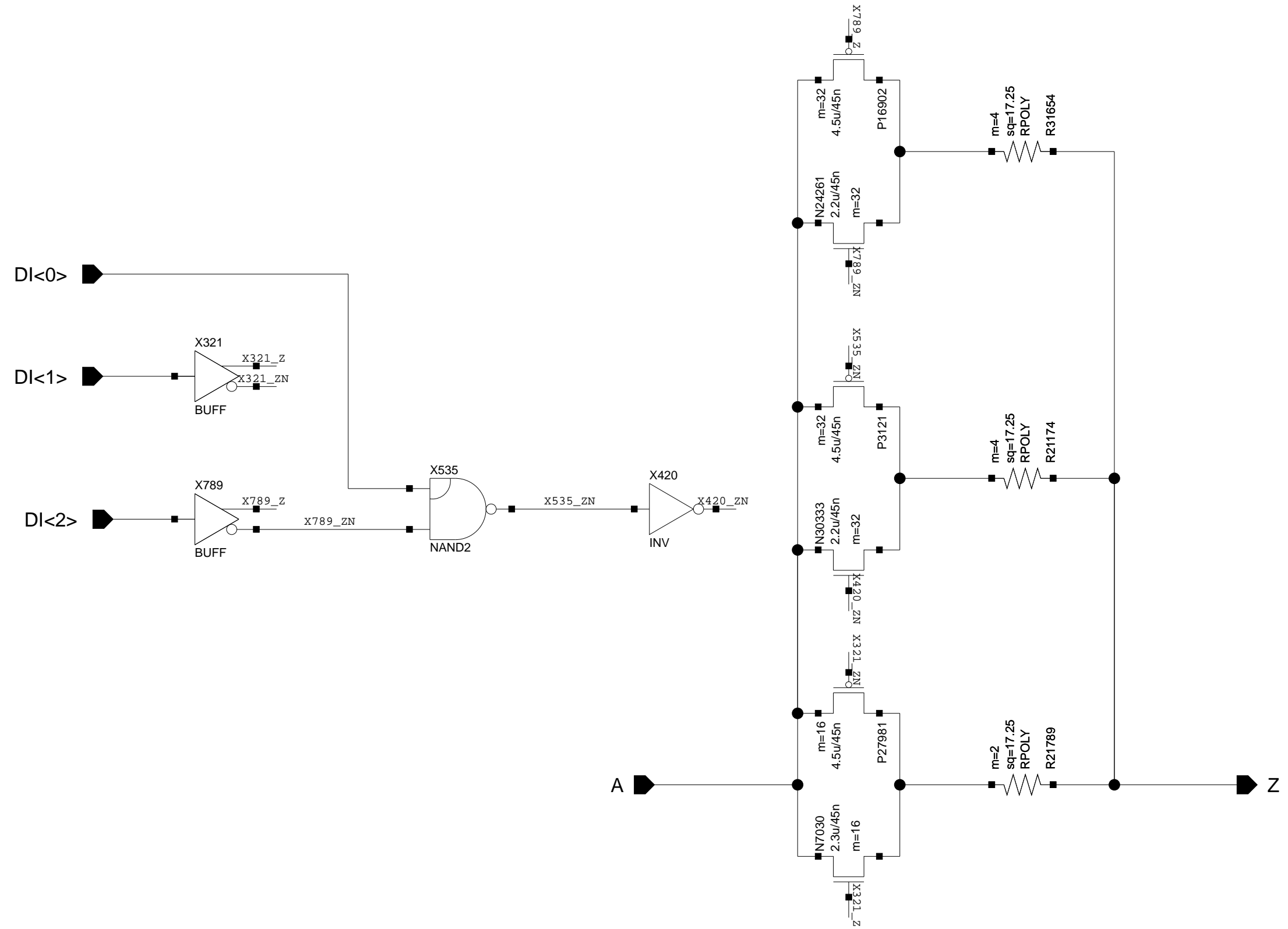


4.0.0 Variable Resistor 1

MediaTek MT6169V

Device Type: RF Transceiver
 Die Markings: <MediaTek logo> AM10263B
 OCT_30_2013
 Date Code: 1427



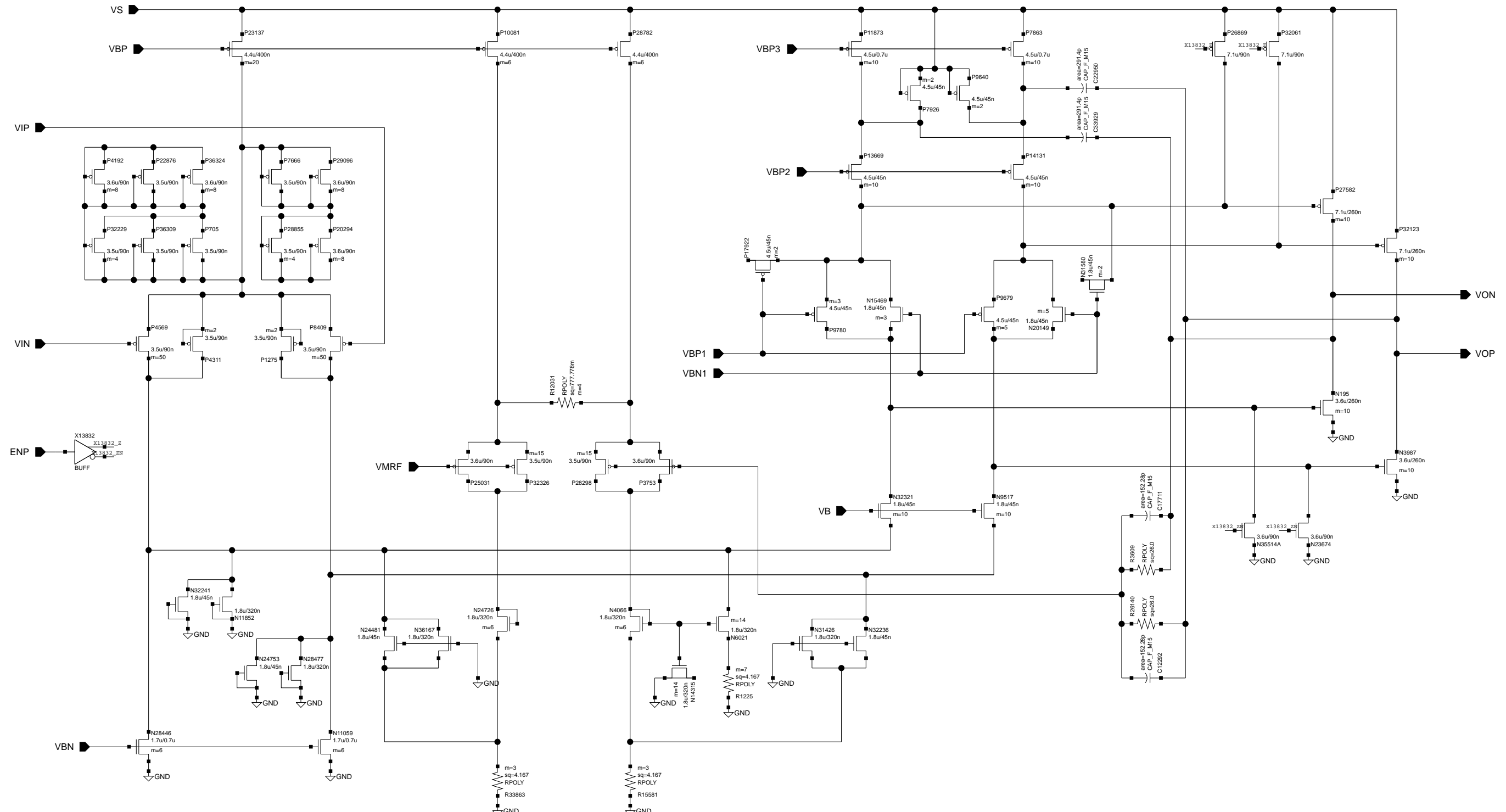


5.0.0 Variable Resistor 2

MediaTek MT6169V

Device Type: RF Transceiver
 Die Markings: <MediaTek logo> AM10263B
 OCT_30_2013
 Date Code: 1427



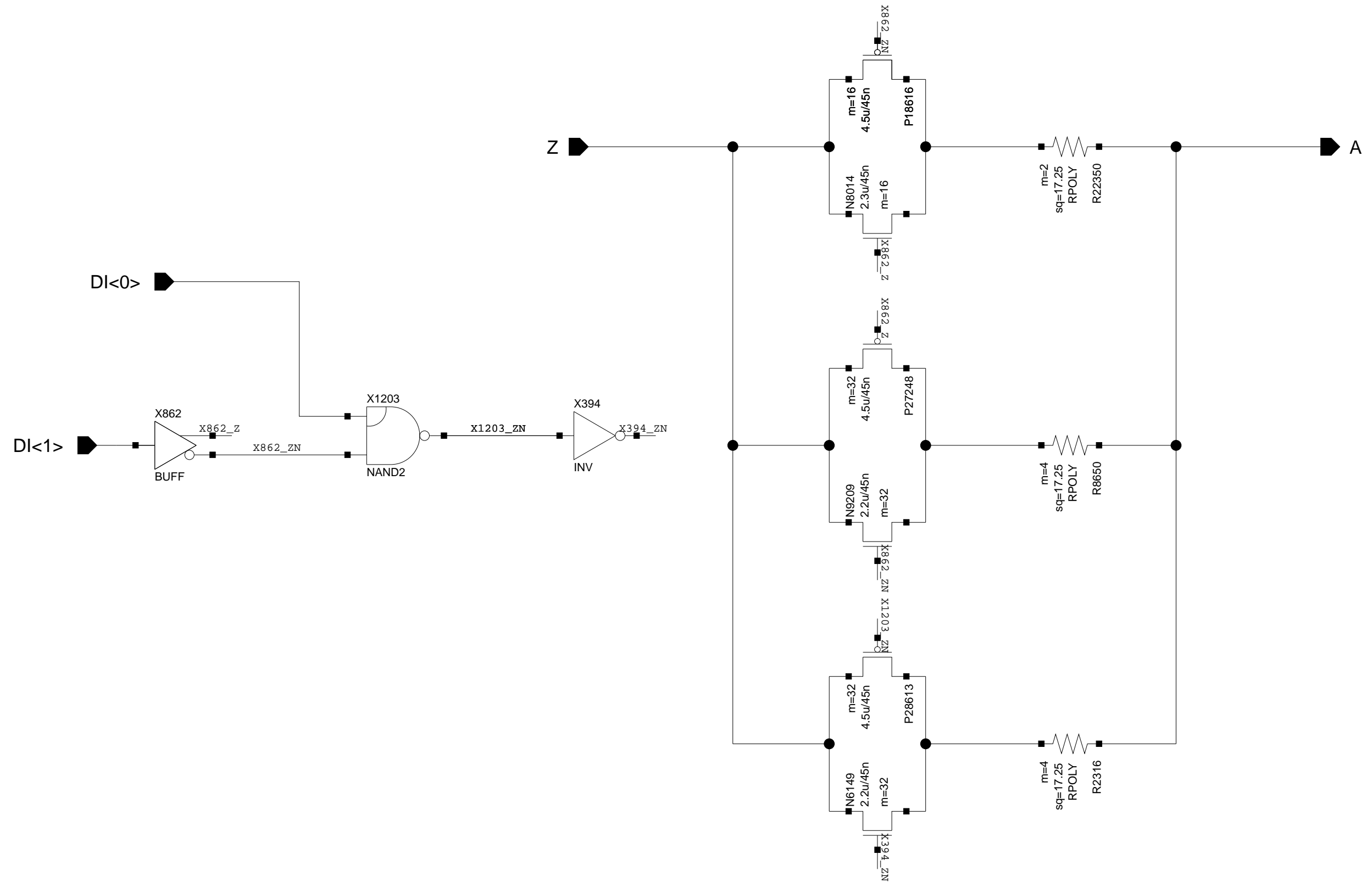


6.0.0 Amplifier

MediaTek MT6169V

Device Type: RF Transceiver
 Die Markings: <MediaTek logo> AM10263B
 Date Code: 1427



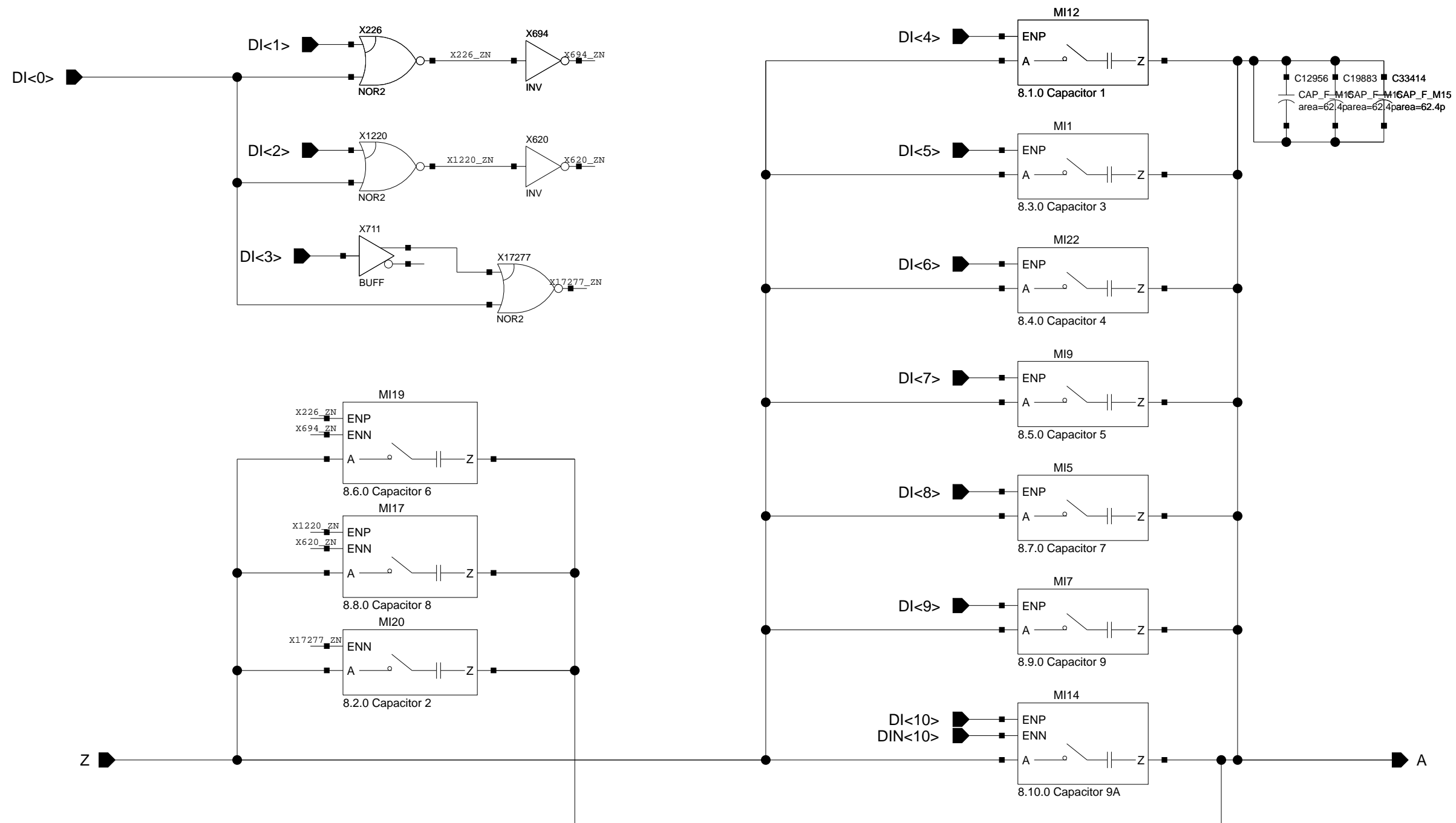


7.0.0 Feedback Resistor

MediaTek MT6169V

Device Type: RF Transceiver
 Die Markings: <MediaTek logo> AM10263B
 OCT_30_2013
 Date Code: 1427



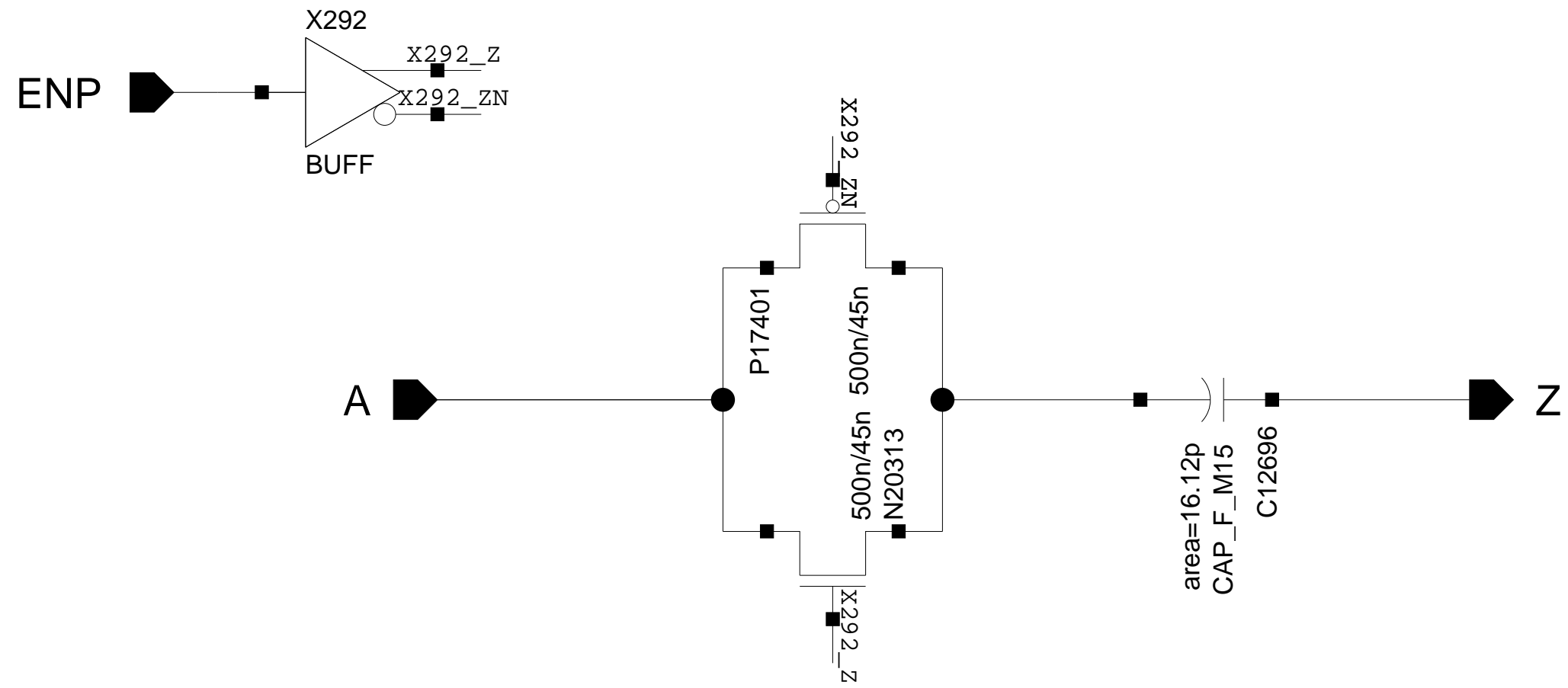


8.0.0 Variable Capacitor 1

MediaTek MT6169V

Device Type: RF Transceiver
 Die Markings: <MediaTek logo> AM10263B
 OCT_30_2013
 Date Code: 1427

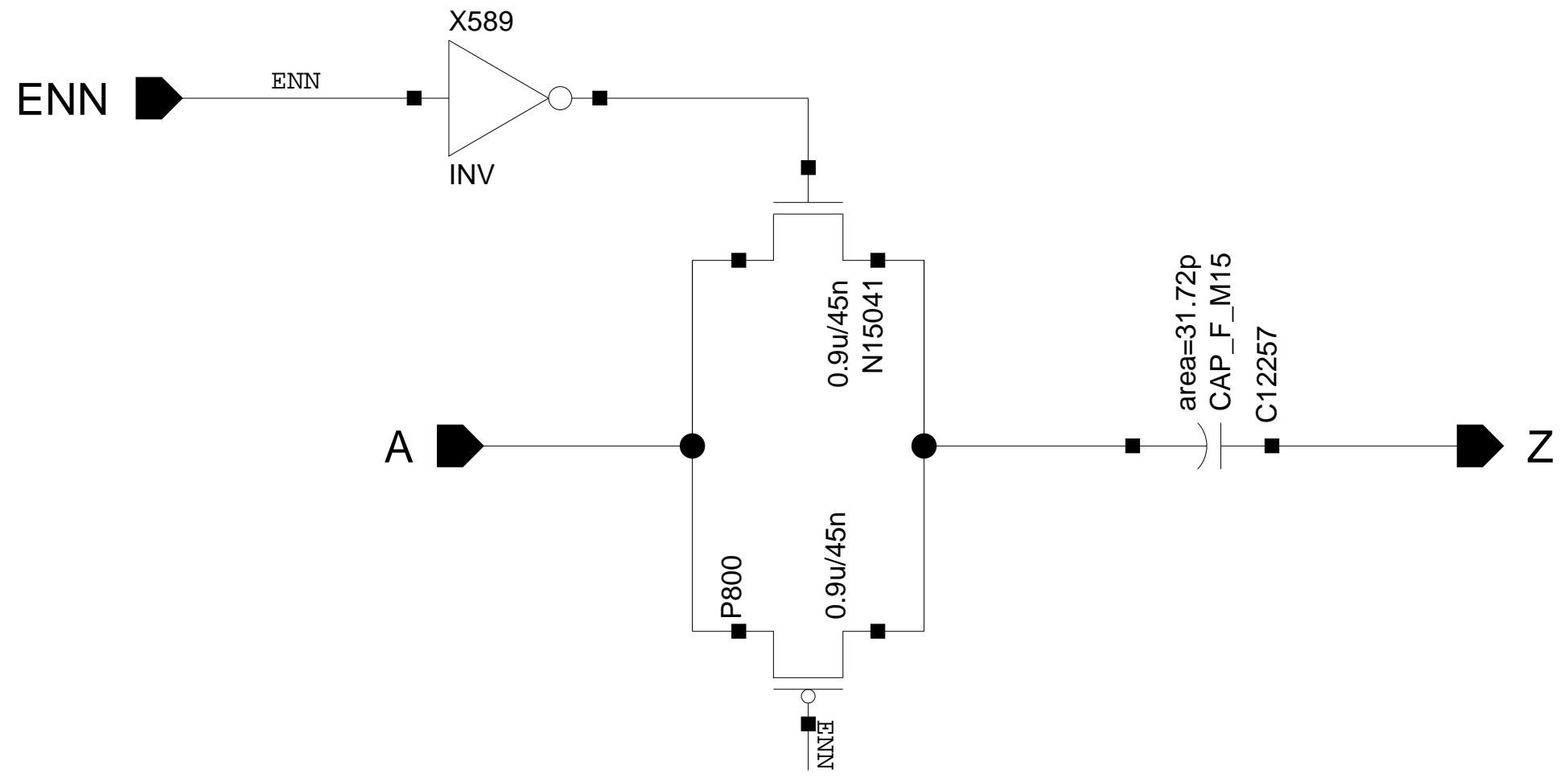




8.1.0 Capacitor 1

MediaTek MT6169V

Device Type: RF Transceiver
 Die Markings: <MediaTek logo> AM10263B
 Date Code: OCT_30_2013
 1427

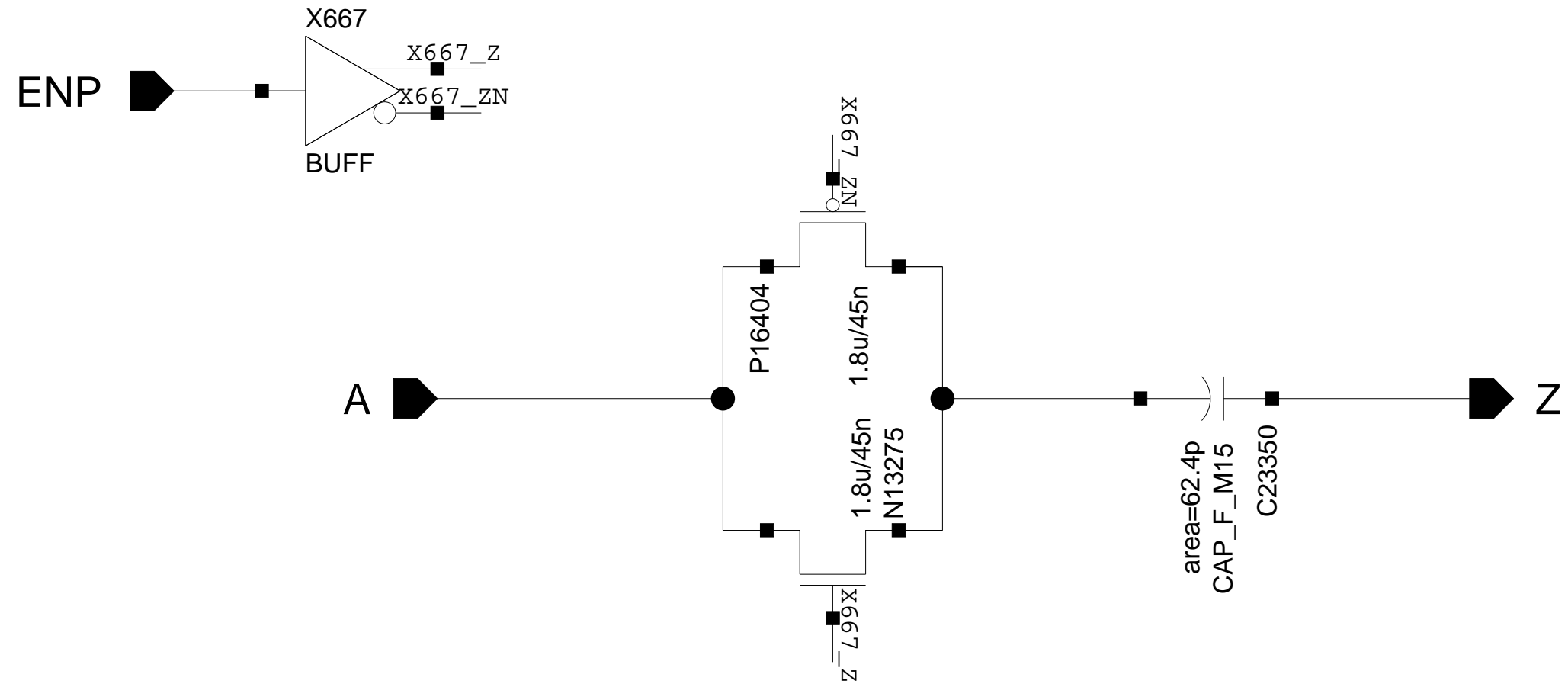


8.2.0 Capacitor 2

MediaTek MT6169V

Device Type: RF Transceiver
 Die Markings: <MediaTek logo> AM10263B
 Date Code: OCT_30_2013
 1427

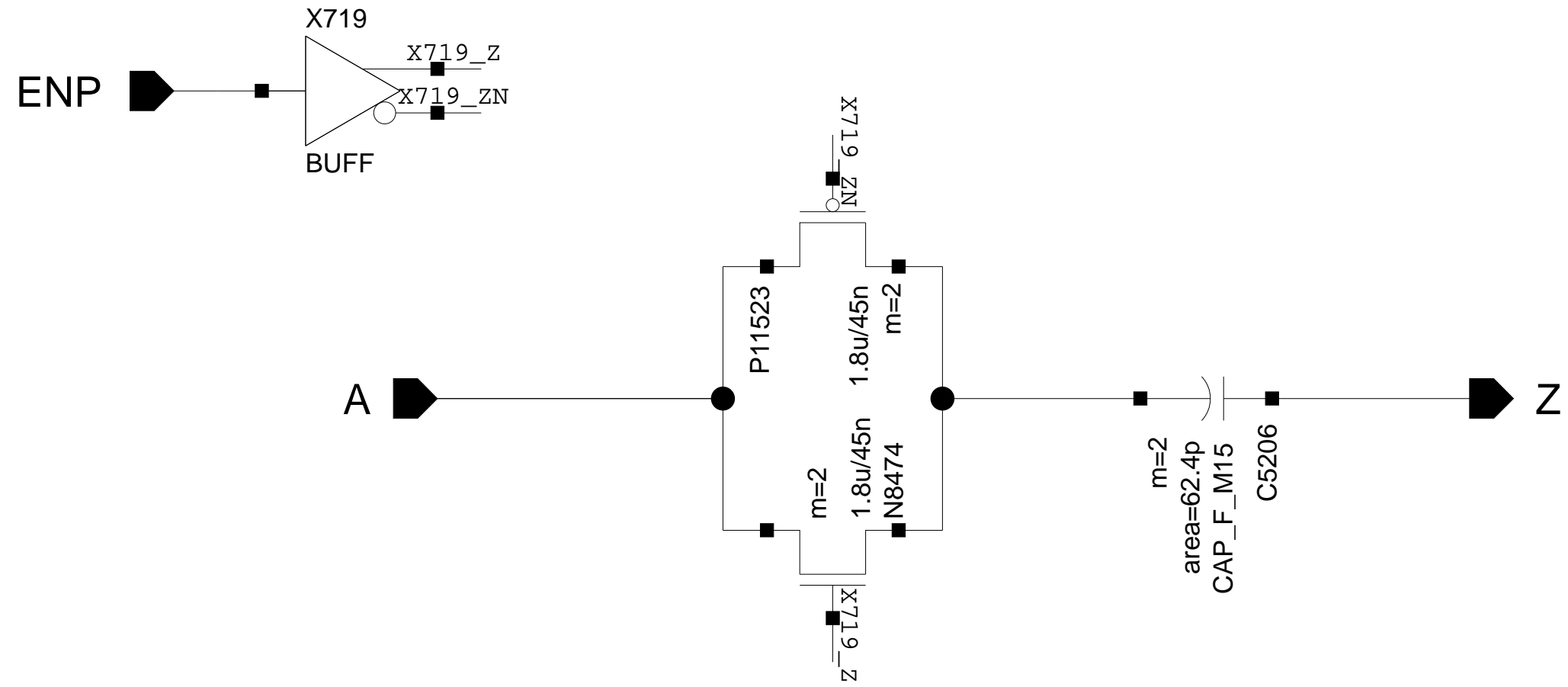




8.3.0 Capacitor 3

MediaTek MT6169V

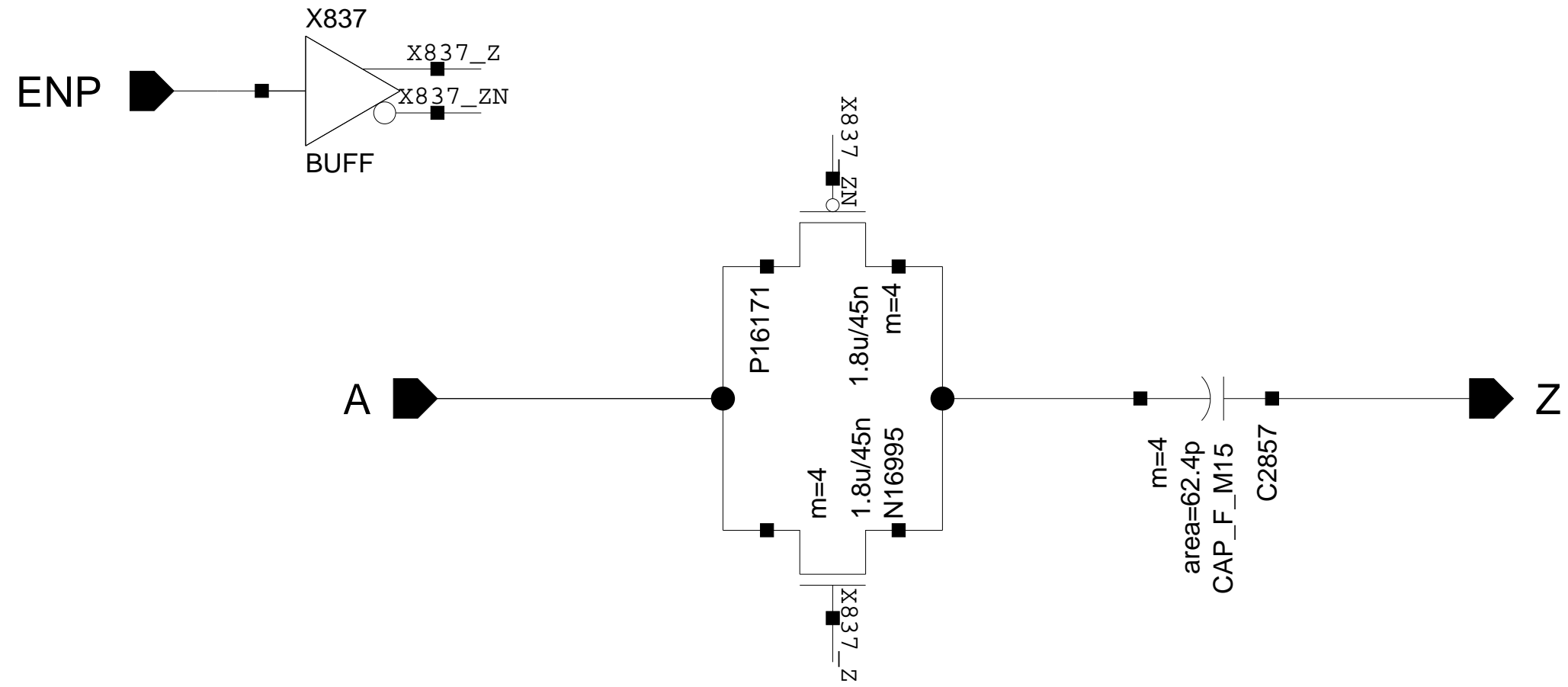
Device Type: RF Transceiver
 Die Markings: <MediaTek logo> AM10263B
 OCT_30_2013
 Date Code: 1427



8.4.0 Capacitor 4

MediaTek MT6169V

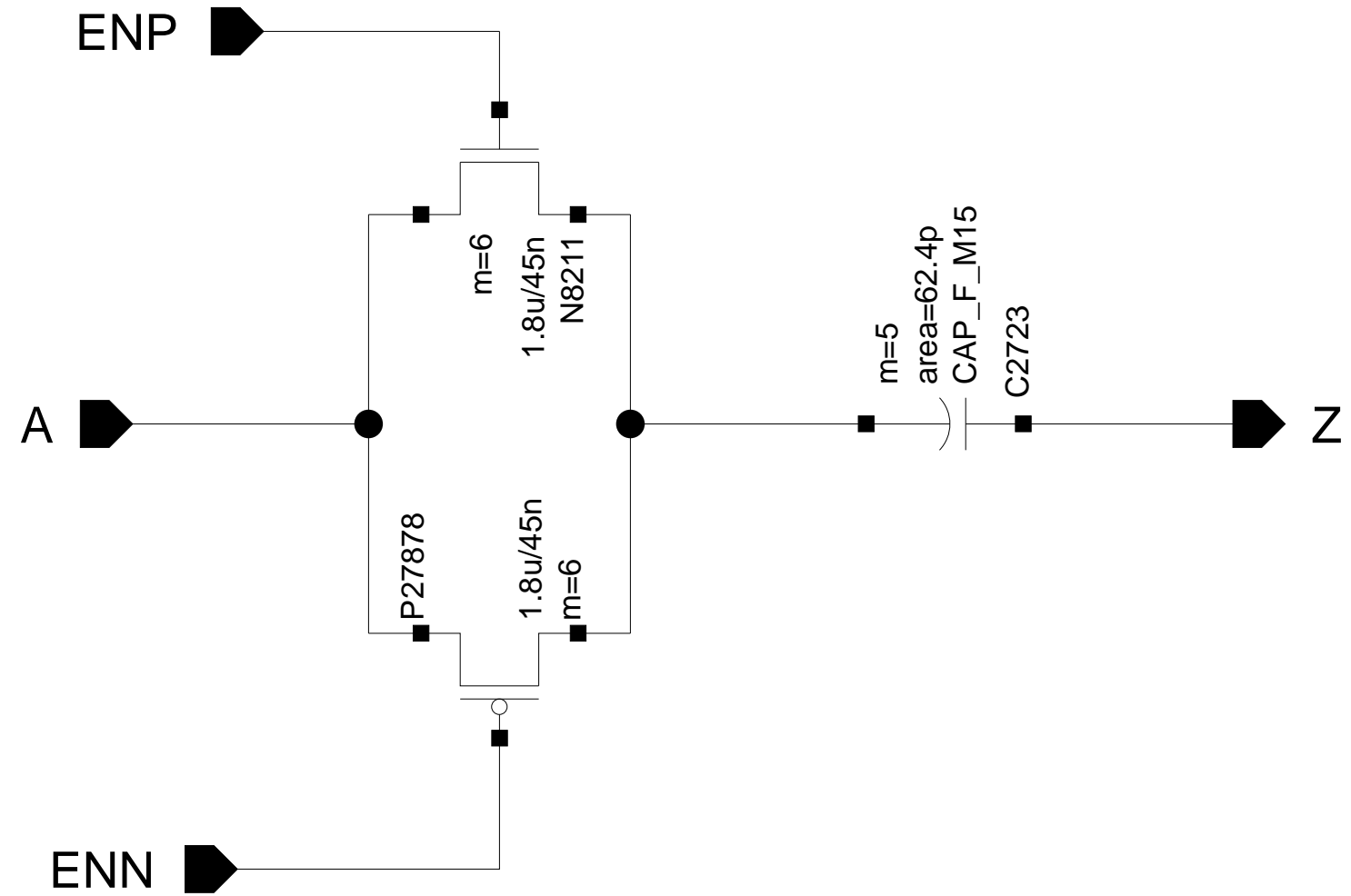
Device Type: RF Transceiver
 Die Markings: <MediaTek logo> AM10263B
 OCT_30_2013
 Date Code: 1427



8.5.0 Capacitor 5

MediaTek MT6169V

Device Type: RF Transceiver
 Die Markings: <MediaTek logo> AM10263B
 OCT_30_2013
 Date Code: 1427

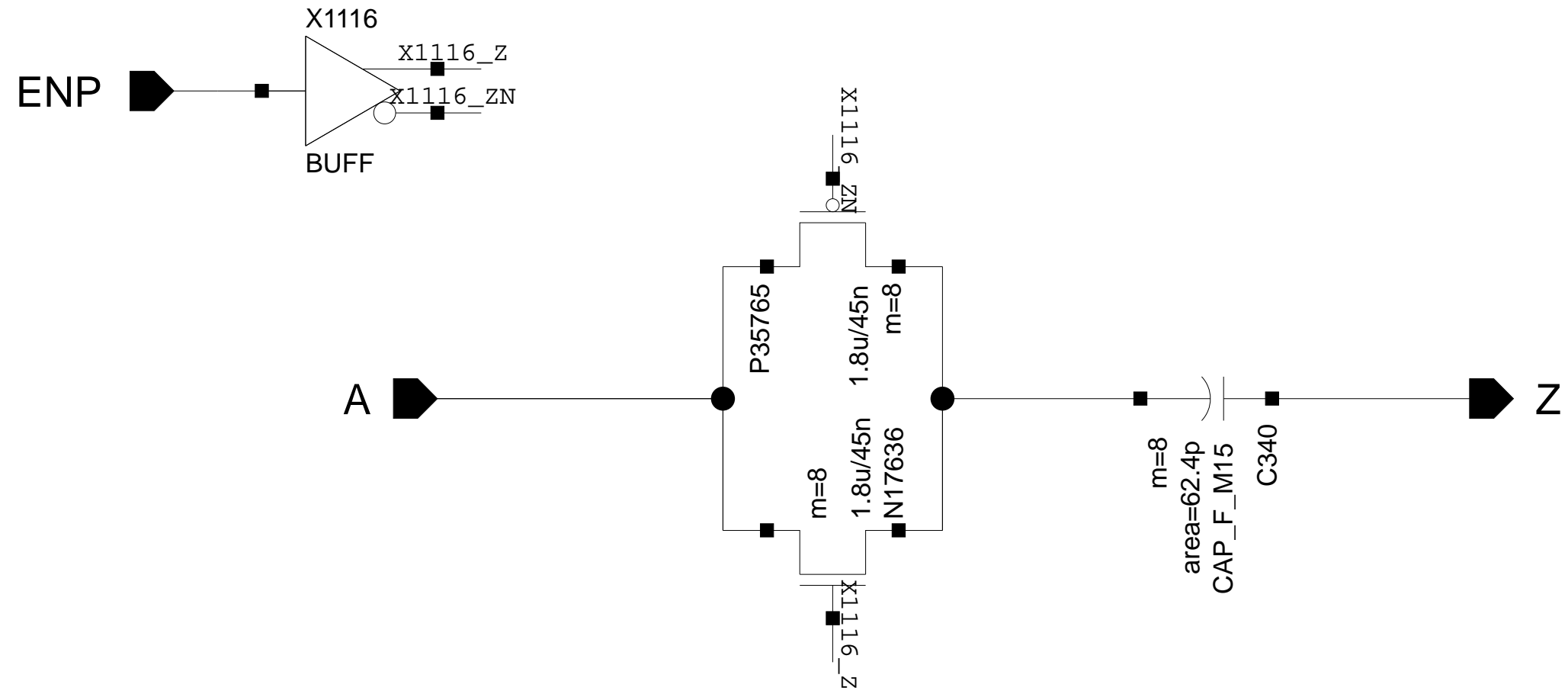


8.6.0 Capacitor 6

MediaTek MT6169V

Device Type: RF Transceiver
 Die Markings: <MediaTek logo> AM10263B
 Date Code: 1427

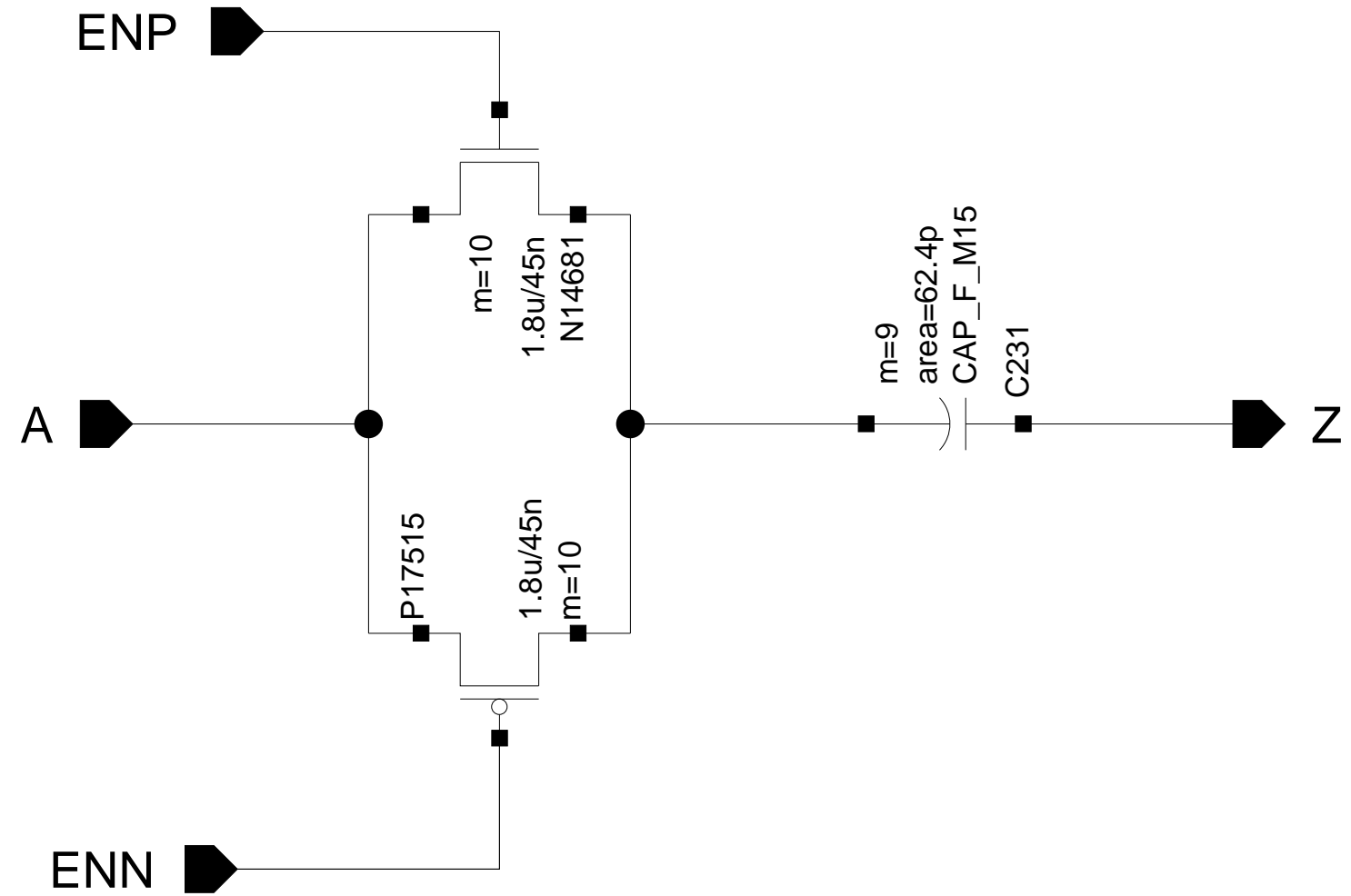




8.7.0 Capacitor 7

MediaTek MT6169V

Device Type: RF Transceiver
 Die Markings: <MediaTek logo> AM10263B
 OCT_30_2013
 Date Code: 1427

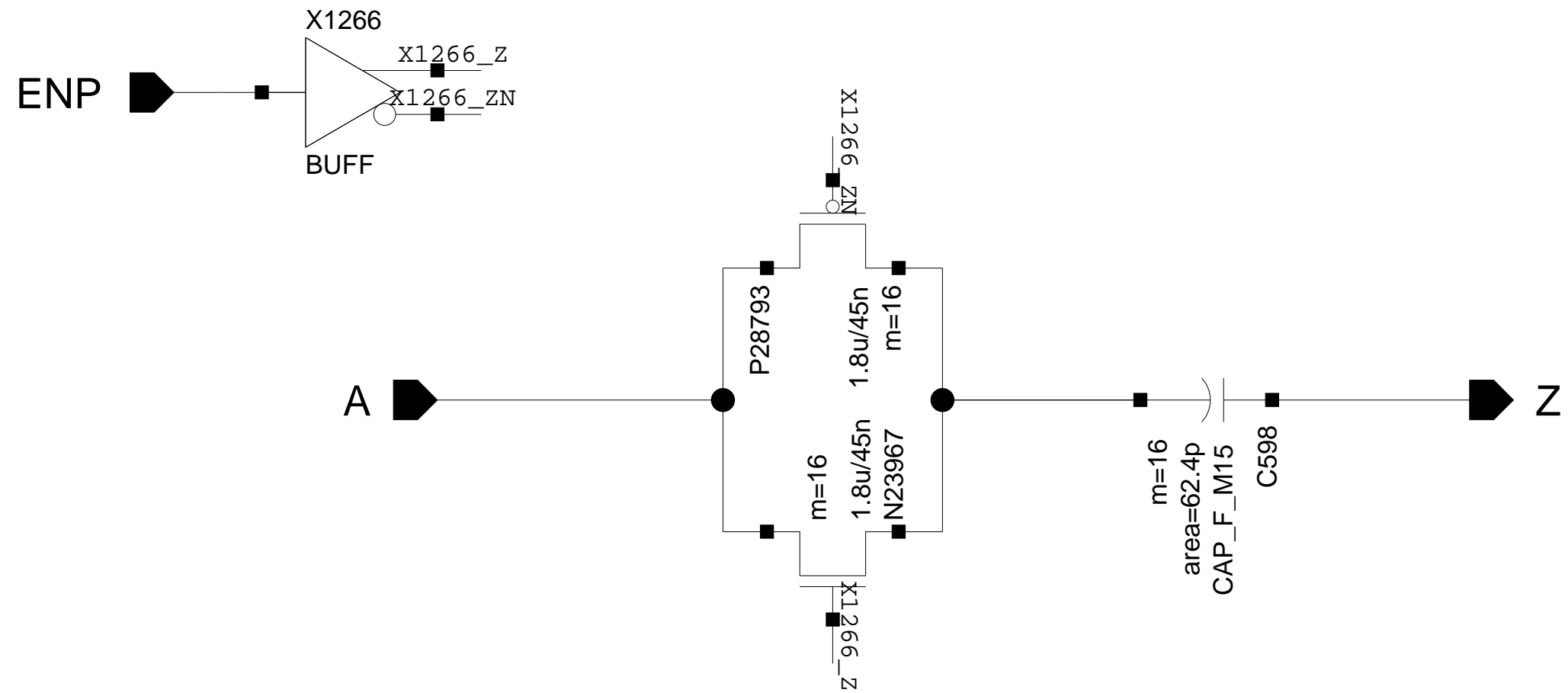


8.8.0 Capacitor 8

MediaTek MT6169V

Device Type: RF Transceiver
 Die Markings: <MediaTek logo> AM10263B
 Date Code: 1427

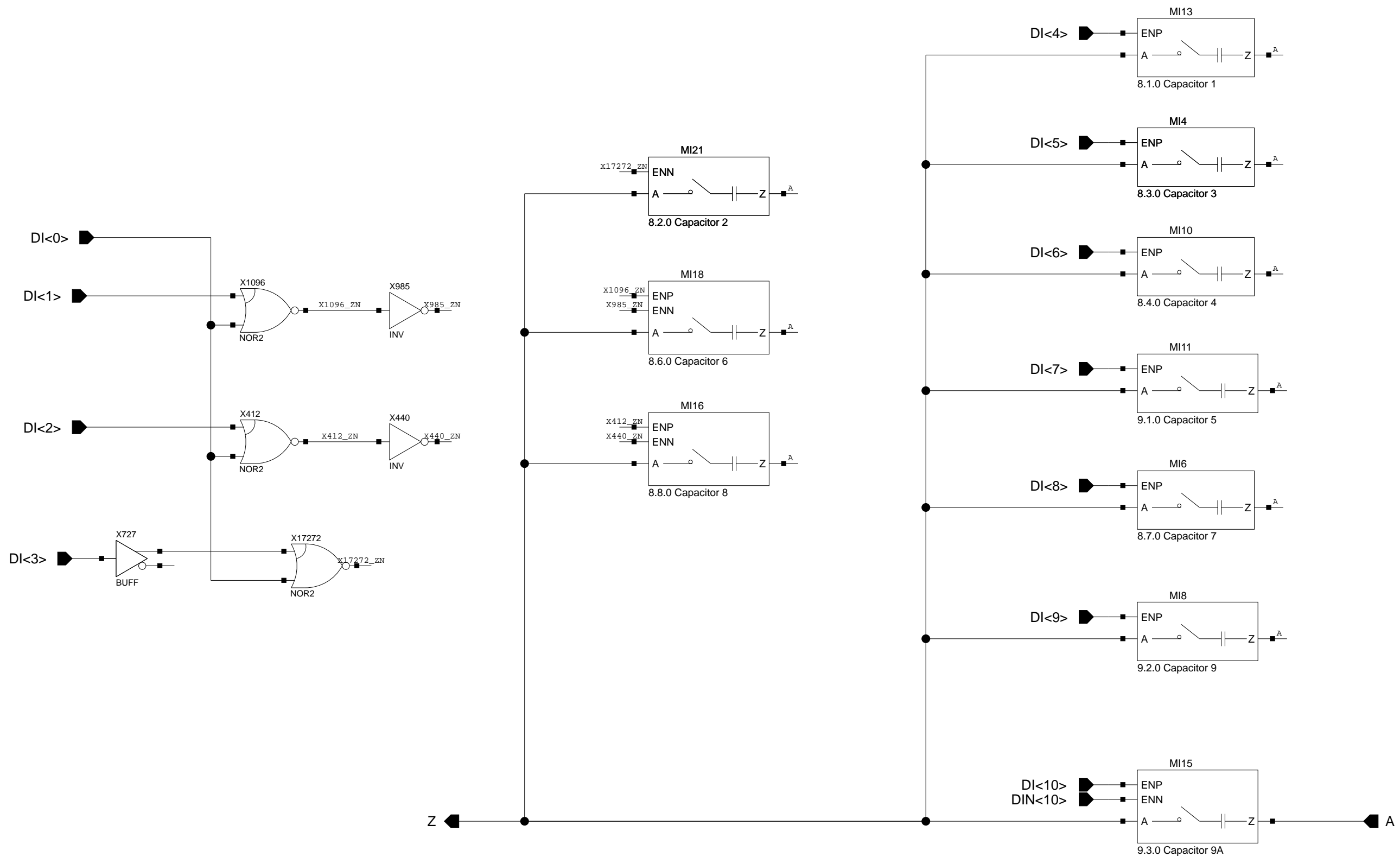




8.9.0 Capacitor 9

MediaTek MT6169V

Device Type: RF Transceiver
 Die Markings: <MediaTek logo> AM10263B
 Date Code: OCT_30_2013
 1427

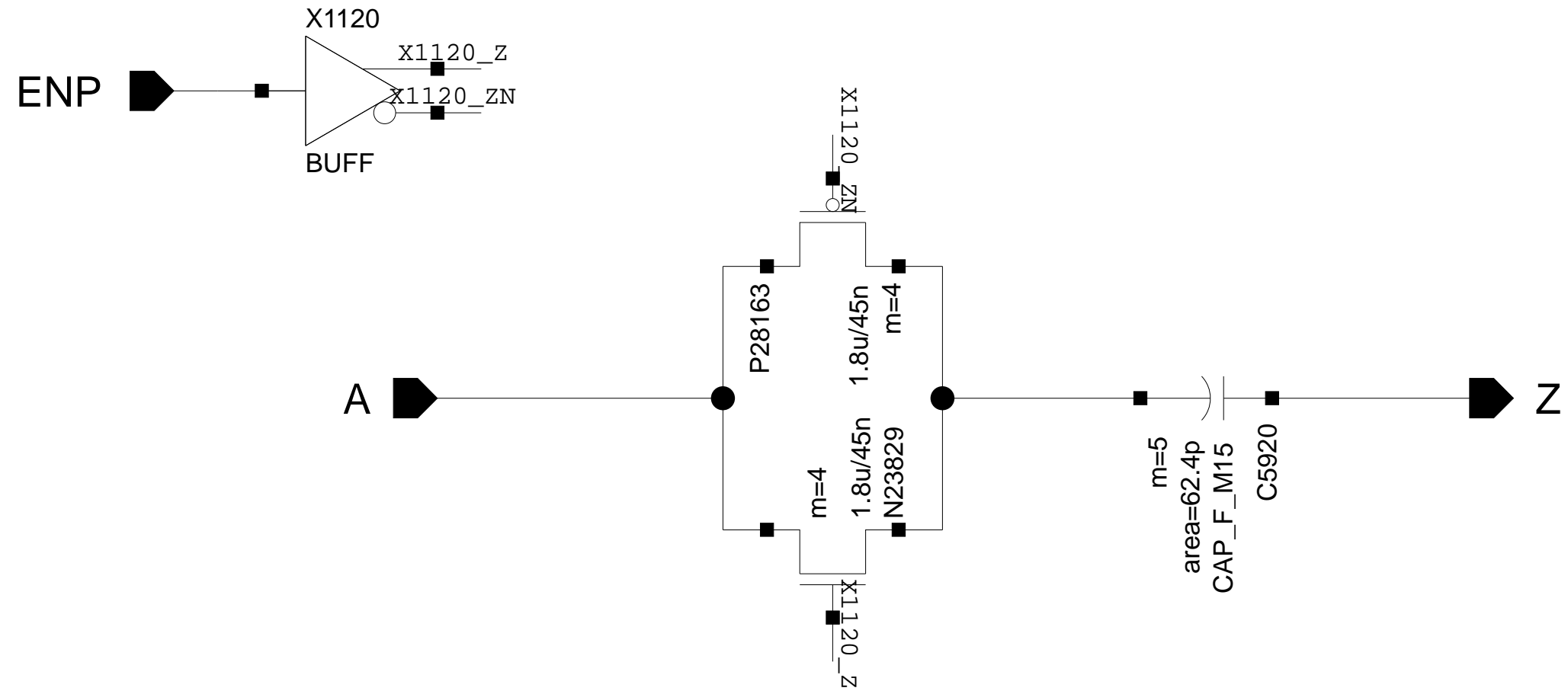


9.0.0 Variable Capacitor 2

MediaTek MT6169V

Device Type: RF Transceiver
 Die Markings: <MediaTek logo> AM10263B
 OCT_30_2013
 Date Code: 1427



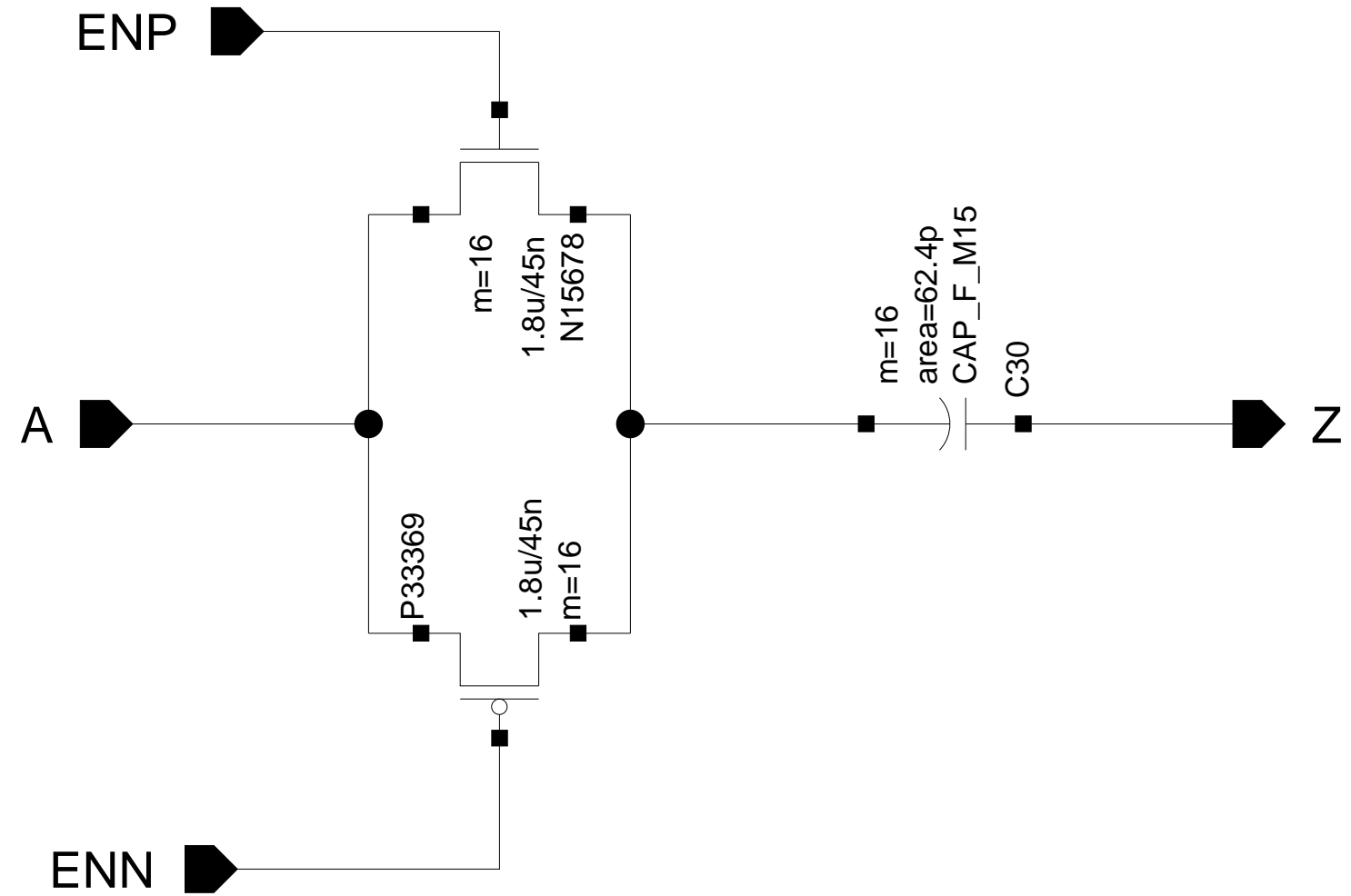


9.1.0 Capacitor 5

MediaTek MT6169V

Device Type: RF Transceiver
 Die Markings: <MediaTek logo> AM10263B
 Date Code: OCT_30_2013
 1427

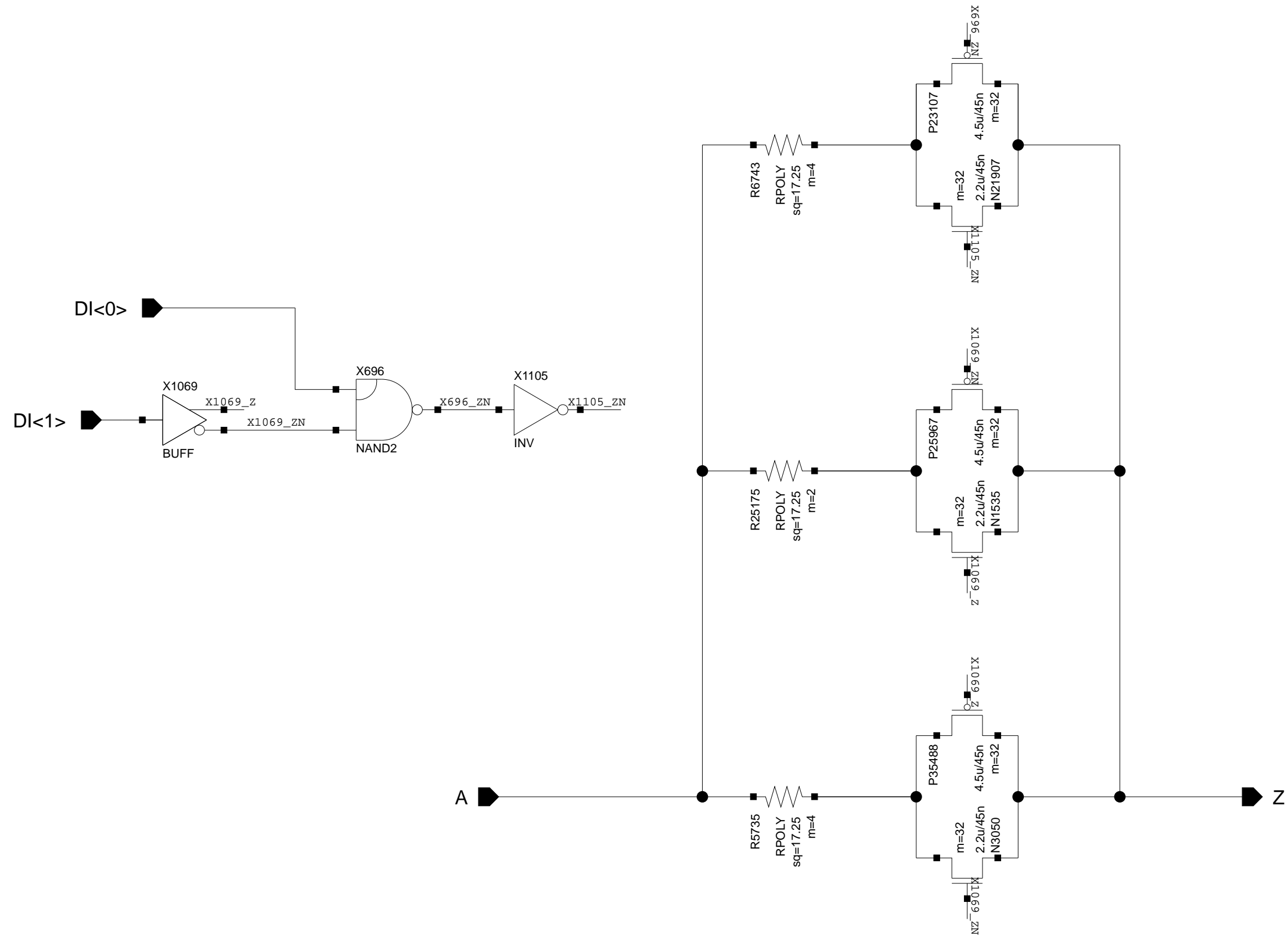




9.3.0 Capacitor 9A

MediaTek MT6169V

Device Type: RF Transceiver
 Die Markings: <MediaTek logo> AM10263B
 Date Code: 1427

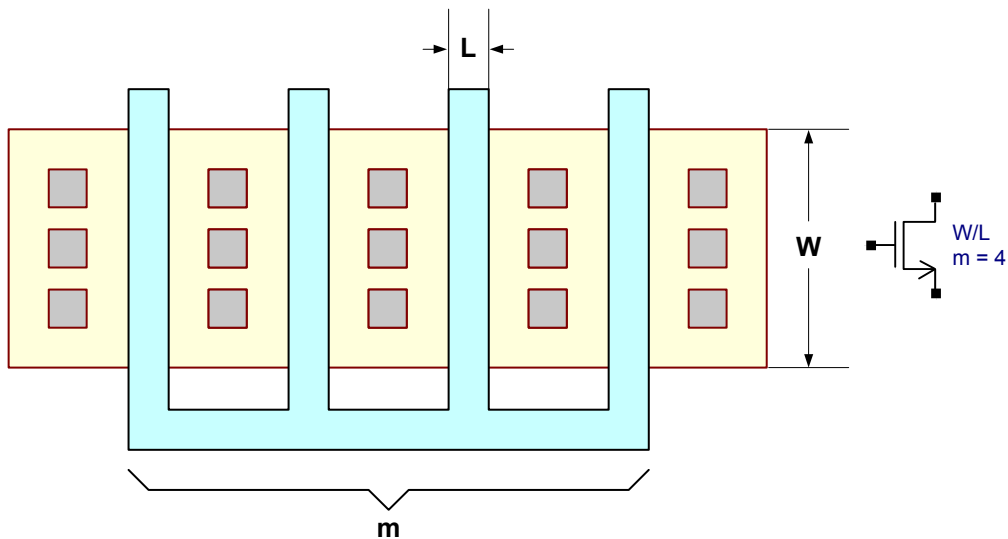
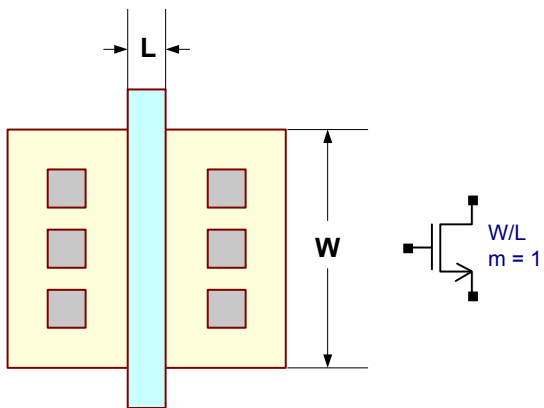


10.0.0 Output Resistor

MediaTek MT6169V

Device Type: RF Transceiver
 Die Markings: <MediaTek logo> AM10263B
 OCT_30_2013
 Date Code: 1427

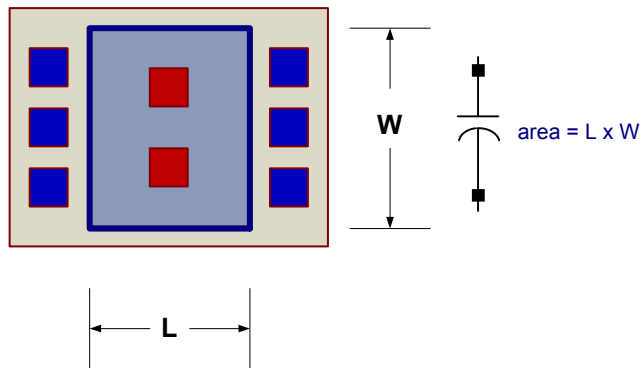
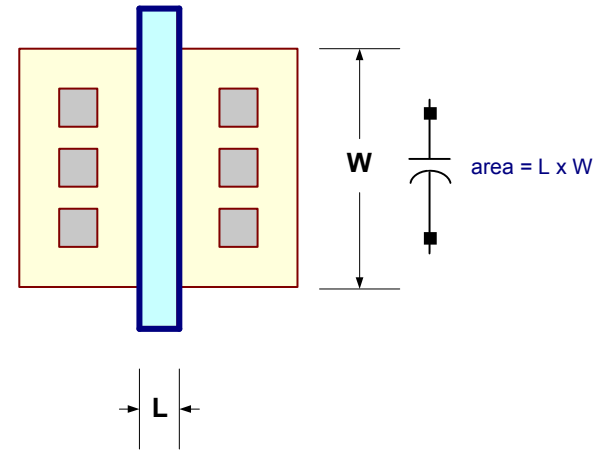
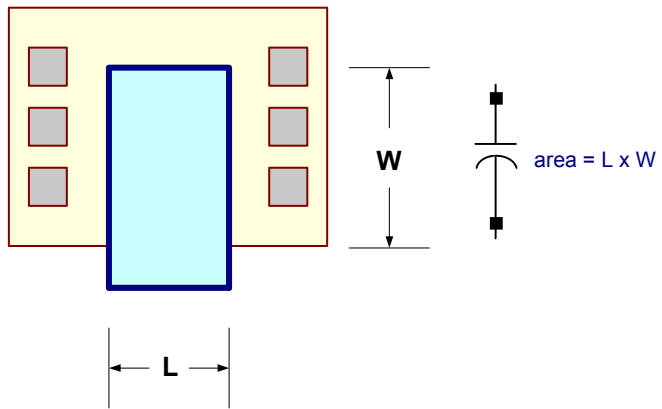




Transistor Size Notation

MediaTek MT6169V

Device Type: RF Transceiver
 Die Markings: <MediaTek logo> AM10263B
 OCT_30_2013
 Date Code: 1427

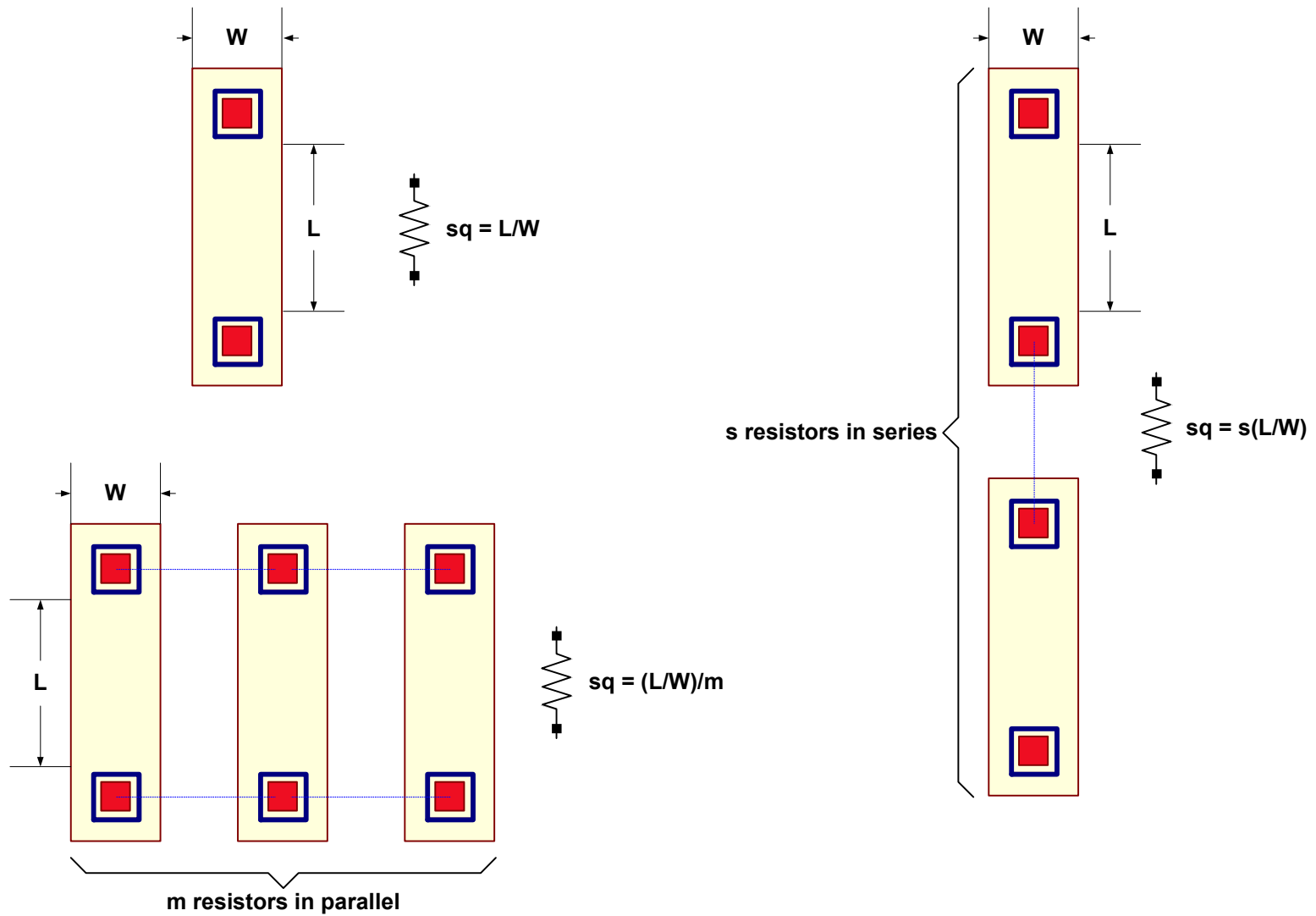


Other types of capacitors may be defined in the first chapter of the report.

Capacitor Size Notation

MediaTek MT6169V

Device Type: RF Transceiver
 Die Markings: <MediaTek logo> AM10263B
 OCT_30_2013
 Date Code: 1427



Resistor Size Notation

MediaTek MT6169V

Device Type: RF Transceiver
 Die Markings: <MediaTek logo> AM10263B
 OCT_30_2013
 Date Code: 1427

About Chipworks

Patent and Technology Partner to the World's Most Successful Companies

For over 20 years, Chipworks has been a trusted patent and technology partner to the world's largest and most successful companies. Business leaders rely on us to help them identify and fully leverage their most valuable patents and provide crucial analysis of high-revenue products in the most competitive, fastest changing technology markets.

By combining deep patent and market knowledge with an unmatched ability to analyze the broadest range of technology products we are able to provide the most insightful **Patent Intelligence** and **Competitive Technical Intelligence** services in the industry.

Contact Chipworks

To find out more information about this report, or any other reports in our library, please contact Chipworks at 1-613-829-0414.

Chipworks

1891 Robertson Road, Suite 500

Ottawa, Ontario K2H 5B7

Canada

T 1-613-829-0414

F 1-613-829-0515

Web site: www.chipworks.com

Email: info@chipworks.com

Please send any feedback to feedback@chipworks.com