

TUSB1211

Standalone USB Transceiver Chip

Data Manual



PRODUCTION DATA information is current as of publication date. Products conform to specifications per the terms of the Texas Instruments standard warranty. Production processing does not necessarily include testing of all parameters.

Literature Number: SLLSE80
March 2011

Contents

1	Features	5
2	Description	6
	2.1 Terminal Description	7
	2.2 Block Diagram	9
3	Electrical Characteristics	10
	3.1 Absolute Maximum Ratings	10
	3.2 Recommended Operating Conditions	10
	3.3 ESD Electrical Parameters	10
4	Application Diagram	11
5	Clock System	12
	5.1 USB PLL Reference Clock	12
	5.1.1 ULPI Input Clock Configuration	12
	5.1.2 ULPI Output Clock Configuration	12
6	Power Management	14
	6.1 Power Consumption	14
	6.2 Power Control	14
	6.2.1 Overview	14
7	USB Transceiver (PHY)	16
	7.1 PHY Overview	16
8	UART Transceiver	17
9	USB On-The-Go (OTG) Feature	18
10	USB Battery Charger Detection and ACA Feature	19
	10.1 USB Battery Charger Detection Modes	19
	10.2 Accessory Charger Adapter (ACA) Detection	19

List of Figures

2-1	TFBGA36 Package - Bottom View	7
4-1	USB-OTG with ULPI Output Clock.....	11
8-1	USB UART Data Flow	17

List of Tables

2-1	Terminal Functions	8
5-1	Electrical Characteristics: CLOCK Input.....	12
5-2	Electrical Characteristics: REFCLK	12
6-1	Power Consumption	14
7-1	Interface Target Frequencies	16

Standalone USB Transceiver Chip

Check for Samples: [TUSB1211](#)

1 Features

- **USB2.0 PHY Transceiver Chip, Designed to Interface With a USB Controller via a ULPI Interface, Fully Compliant With:**
 - *Universal Serial Bus Specification Rev. 2.0*
 - *On-The-Go Supplement to the USB 2.0 Specification Rev. 1.3*
 - *UTMI+ Low Pin Interface (ULPI) Specification Rev. 1.1*
 - *ULPI 12-Pin SDR Interface*
 - *USB Battery Charging Specification Rev. 1.1*
- **USB Battery Charger Detection Feature**
 - Detection Compliant to USB Charging Specification v1.1 Including ACA Detection
 - Additional DP Weak Pullup Resistor Available for Detection of DP/DM Connectivity
- **DP/DM Line External Component Compensation (TI Patent Pending)**
- **Complete USB OTG Physical Front-End that Supports Host Negotiation Protocol (HNP) and Session Request Protocol (SRP)**
- **V_{BUS} Overvoltage Protection Circuitry Protects V_{BUS} Pin in Range –2 V to 20 V**
- **Internal 5 V Short-Circuit Protection of DP, DM, and ID Pins for Cable Shorting to V_{BUS} Pin**
- **ULPI Interface:**
 - I/O Interface (1.8V) Optimized for Non-Terminated 50 Ω Line Impedance
 - ULPI CLOCK Pin (60 MHz) Supports Both Input and Output Clock Configurations
 - Fully Programmable ULPI-Compliant Register Set
- **Full Industrial Grade Operating Temperature Range from –40°C to 85°C**
- **Available in a TFBGA36 Ball Package**
- **USB HS Start-Of-Frame Clock Output Feature Available on SOF Pin Can be Used to Synchronize Another Application, e.g., Audio, With the USB Packet Stream**
- **Can be Interfaced to Peripheral, Host or OTG Controller Devices via ULPI. Suited to Portable Devices or System ASICs with Built-In Controller Core.**
- **Complete HS-USB Physical Front-End:**
 - Supports High Speed (480 Mbit/s), Full Speed (12 Mbit/s) and Low Speed (1.5 Mbit/s)
 - Integrated Phase-Locked Loop (PLL) Supporting 2 Clock Frequencies 19.2 MHz/26 MHz
 - Integrated 45 Ω ±10% High-Speed Termination Resistors, 1.5 kΩ Full-Speed Device Pullup Resistor, 15 kΩ Host Termination Resistors
 - Integrated Transmit and Receive Paths for Parallel-to-Serial and Serial-to-Parallel Data Conversion
 - USB Data Recovery to Allow Recovery of USB Data up to ±500 ppm Frequency Drift
 - Bit-Stuffing Insertion During Transmit and Removal During Receive
 - Non-Return-to-Zero Inverted (NRZI) Encoding and Decoding
 - Supports Bus Reset, Suspend, Resume and High-Speed Detection Handshake (Chirp)
 - HS USB DP/DM Impedance Programmability for External Component Compensation
- **OTG Ver1.3:**
 - Control of External V_{BUS} Switch or Charge Pump
 - V_{BUS} Fault Detection
 - Both Session Request Protocol (SRP) Methods Supported: Data Pulsing and V_{BUS} Pulsing
 - Integrated V_{BUS} Detectors and Cable Detection (ID)
- **Internal Power-On Reset (POR) Circuit**
- **Flexible System Integration and Very Low Current Consumption, Optimized for Portable Devices**

2 Description

SLLSE80–MARCH 2011

The TUSB1211 is a USB2.0 transceiver chip, designed to interface with a USB controller via a ULPI interface. It supports all USB2.0 data rates (High-Speed 480Mbps, Full-Speed 12 Mbps and Low-Speed 1.5Mbps) in both Host and Peripheral modes. It additionally supports a UART mode and legacy ULPI serial modes.

TUSB1211 also supports USB Battery Charging Specification Ver1.1, integrating a charger detection module for sensing and control on DP/DM lines, and ACA (Accessory Charger Adapter) detection and control on ID line. ACA allows simultaneous connection of a USB Charger or Charging Downstream Port and an Accessory to a portable OTG device. Configuration bits allow an ACA-agnostic legacy link to correctly communicate with the connected accessory Port through the ACA.

TUSB1211 also supports the OTG (Ver1.3) optional addendum to the USB2.0 specification, including Host Negotiation Protocol (HNP) and Session Request Protocol (SRP).

TUSB1211 is optimized to be interfaced through a 12-pin SDR UTMI Low Pin Interface (ULPI), supporting both input clock and output clock modes, with 1.8 V interface supply voltage.

TUSB1211 integrates a 3.3 V LDO, which makes it flexible to work with either battery operated systems or pure 3.3 V supplied systems. Both the main supply and the 3.3 V power domain can be supplied through an external switched-mode converter for optimized power efficiency.

TUSB1211 includes a POR circuit to detect supply presence on V_{BAT} and V_{DDIO} pins. TUSB1211 can be disabled or configured in low power mode for energy saving.

TUSB1211 is protected against accidental shorts to 5 V or ground on its exposed interface (DP/DM/ID). It is also protected against up to 20 V surges on V_{BUS} .

TUSB1211 integrates a high-performance low-jitter 480 MHz PLL and supports two clock configurations. Depending on the required link configuration, TUSB1211 supports both ULPI input and output clock mode : input clock mode, in which case a square-wave 60 MHz clock is provided to TUSB1211 at the ULPI interface CLOCK pin; and output clock mode in which case TUSB1211 can accept a square-wave reference clock at REFCLK of either 19.2 MHz, 26 MHz. Frequency is indicated to TUSB1211 via the configuration pin CFG. This can be useful if a reference clock is already available in the system.

2.1 Terminal Description

**TFBGA36 PACKAGE
(BOTTOM VIEW)**

F	CHRG_ POL	CHRG_ DET	VBAT	VBUS	REFCLK	SOF
E	CHRG_ EN_N	FAULT	REG3V3	GND	DIR	REG1V5
D	DP	GND	ID	PSW	DXT	STP
C	DM	NC ⁽¹⁾	CS_N	RESET_N	GND	DATA7
B	DATA0	VDDIO	CS	CFG	VDDIO	DATA6
A	DATA1	DATA2	DATA3	CLOCK	DATA4	DATA5
	1	2	3	4	5	6

(1) NC = Not Connected

(2) The size of the device should be 3.5 mm \pm 0.1 mm by 3.5 mm \pm 0.1 mm. Height is 1.0 mm typical 1.15 mm max including the solder balls. The pitch of the device is 0.5 mm. Ball width 0.3 mm \pm 0.05 mm.

Figure 2-1. TFBGA36 Package - Bottom View

[Table 2-1](#) provides a description of the signals on the TUSB1211 package; some signals are available on multiple pins.



Please be aware that an important notice concerning availability, standard warranty, and use in critical applications of Texas Instruments semiconductor products and disclaimers thereto appears at the end of this data sheet.

Table 2-1. Terminal Functions

#	PIN ⁽¹⁾	NAME	A/D ⁽²⁾	TYPE ⁽³⁾	LEVEL ⁽⁴⁾	DESCRIPTION
1	D5	NXT	D	O	V _{DDIO}	ULPI NXT output signal
2	B1	DATA0	D	I/O	V _{DDIO}	ULPI DATA input/output signal synchronized to CLOCK
3	A1	DATA1	D	I/O	V _{DDIO}	ULPI DATA input/output signal synchronized to CLOCK
4	A2	DATA2	D	I/O	V _{DDIO}	ULPI DATA input/output signal synchronized to CLOCK
5	A3	DATA3	D	I/O	V _{DDIO}	ULPI DATA input/output signal synchronized to CLOCK
6	A5	DATA4	D	I/O	V _{DDIO}	ULPI DATA input/output signal synchronized to CLOCK
7	A6	DATA5	D	I/O	V _{DDIO}	ULPI DATA input/output signal synchronized to CLOCK
8	B6	DATA6	D	I/O	V _{DDIO}	ULPI DATA input/output signal synchronized to CLOCK
9	B3	CS	D	I	VDDIO	Active-high chip select pin. When low the IC is in power down and ULPI bus is tri-stated. When high (and CS_N pin is tied to VDDIO if unused) normal operation.
10	E6	REG1V5	A	POWER	V _{DD15}	1.5 V internal LDO output. Connect to external filtering capacitor.
11	C6	DATA7	D	I/O	V _{DDIO}	ULPI DATA input/output signal synchronized to CLOCK
12	B4	CFG	D	I	V _{DDIO}	REFCLK clock frequency configuration pin. Two frequencies are supported: 19.2MHz when 0, or 26MHz when 1.
13	D1	DP	A	I/O	V _{DD33}	DP pin of the USB connector
14	C1	DM	A	I/O	V _{DD33}	DM pin of the USB connector
15	E3	REG3V3	A	POWER	V _{DD33}	3.3 V internal LDO output. Connect to external filtering capacitor.
16	F3	VBAT	A	POWER	V _{BAT}	Input supply voltage or battery source. Nominally 3.3 V to 4.5 V
17	F4	VBUS	A	I/O	V _{BUS}	VBUS pin of the USB connector
18	D3	ID	A	I/O	V _{BUS}	Identification (ID) pin of the USB connector
19	A4	CLOCK	D	I/O	V _{DDIO}	ULPI 60MHz clock on which ULPI data is synchronized. 2 modes are possible: Input Mode: CLOCK defaults as an input (this is the default clock mode) Output Mode: When an input clock is detected on REFCLK pin then CLOCK will change to an output
20	C4	RESET_N	D	I	V _{DDIO}	Active low chip reset pin. Minimum pulse width 100 μ s. When low all digital logic (except 32kHz logic required for power-up sequencing and charger detection state-machine) including registers are reset to their default values. ULPI bus is in "ULPI Synchronous mode power-up PLL OFF" state as described in Table14-1. When high normal USB operation.
21	D6	STP	D	I	V _{DDIO}	ULPI STP input signal
22	E5	DIR	D	O	V _{DDIO}	ULPI DIR output signal
23	B5	VDDIO	A	I	V _{DDIO}	External 1.8V supply input for digital I/Os. Connect to external filtering capacitor.
24	B2	VDDIO	A	I	V _{DDIO}	External 1.8V supply input for digital I/Os. Connect to external filtering capacitor.
25	C5	GND	A	GROUND	GND	Ground
26	D2	GND	A	GROUND	GND	Ground
27	E4	GND	A	GROUND	GND	Ground
28	F5	REFCLK	A	I	V _{DDIO}	Reference clock input. Input reference clock frequency must be indicated by CFG pin. Two frequencies are supported: 19.2MHz (when CFG = 0), and 26MHz (when CFG = 1).
29	F6	SOF	D	O	V _{DDIO}	HS USB SOF (Start-Of-Frame) output clock. (feature controlled by SOF_EN bit, disabled and output logic low by default.). HS USB SOF packet rate is 8 kHz
30	C2	NC				Not connected
31	C3	CS_N	D	I	V _{DDIO}	Active-low chip select pin. When high the IC is in power down and ULPI bus is tri-stated. When low (and CS pin is high) normal operation. Tie to GND if unused.
32	E1	CHRG_EN_N	D	I	V _{BAT}	Active low input pin used to enable Battery Charging Detection in Dead Battery Charger Detection mode. This pin is ignored in ACTIVE mode. Connect to GND to activate. Connect to VBAT when charger detection not required
33	E2	FAULT	D	I	V _{BAT}	VBUS fault detector input used as EXTERNALVBUSINDICATOR in TUSB1211. The link must enable VBUS fault detection via the USEEXTERNALVBUSINDICATOR register bit, and the polarity must be set via the INDICATORCOMPLEMENT register bit. INDICATORPASSTHROUGH bit can be used to qualify FAULT with the internal vbusvalid comparator. Connect to GND if not used. This pin is 5V tolerant.
34	F1	CHRG_POL	D	I	V _{BAT}	When connected to GND then CHRG_DET output pin is active low. When connected to VBAT then CHRG_DET output pin is active high.

(1) Pin = Package Pin coordinate of [Figure 2-1](#)

(2) A/D: A = Analog pin, D = Digital pin

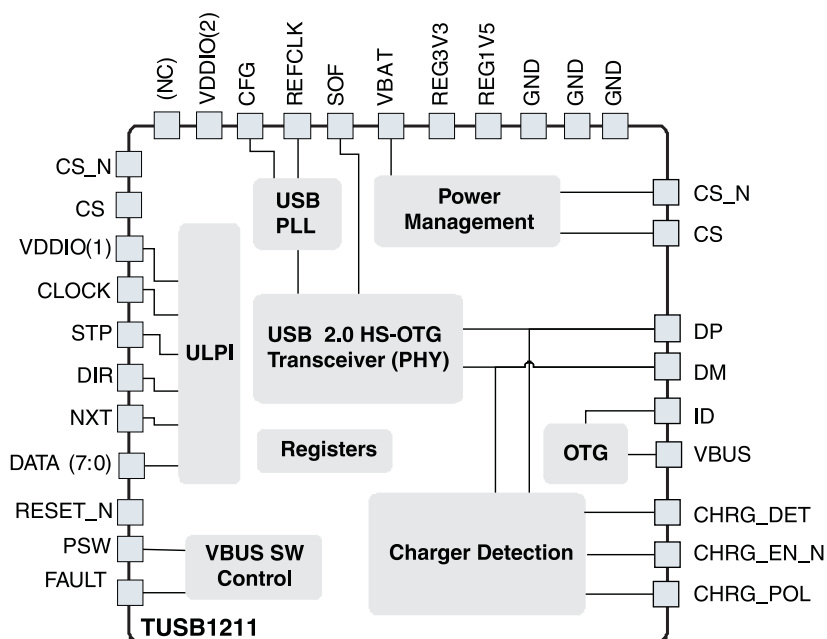
(3) TYPE: I = Input pin type, O = Output pin type, I/O = Input/Output pin type, POWER = Power supply pin type, GROUND = Ground type pin

(4) LEVEL = Pin power supply level

Table 2-1. Terminal Functions (continued)

#	PIN ⁽¹⁾	NAME	A/D ⁽²⁾	TYPE ⁽³⁾	LEVEL ⁽⁴⁾	DESCRIPTION
35	F2	CHRG_DET	D	O	V _{BAT}	When CHRG_POL pin is at GND then CHRG_DET is in active low open-drain mode with external RCHRGDET (100K) connected to VBAT. When CHRG_POL pin is at VBAT then CHRG_DET is in active high open-source mode with external RCHRGDET (100K) connected to GND. This pin is 5V tolerant.
36	D4	PSW	D	O	V _{BAT}	Controls an external, active high, VBUS power switch or charge pump. Open source output on VBAT supply when PSW_OSOD bit is 0 (default), open-drain active-low output when PSW_OSOD bit is 1. Requires an external RPSW (100K) pull down/up resistor to GND/VBAT .

2.2 Block Diagram



3 Electrical Characteristics

3.1 Absolute Maximum Ratings

over operating free-air temperature range (unless otherwise noted)⁽¹⁾

PARAMETER		CONDITIONS	MIN	MAX	UNIT
V _{BAT}	Main battery supply voltage	Continuous	0	5.0	V
	Main battery supply voltage pulsed	The product will have negligible reliability impact for pulsed voltage spikes of 5.5 V for a total (cumulative over lifetime) duration of 5 milliseconds		5.5	V
V _{DDIO}	IO supply voltage	Continuous		1.98	V
	Voltage on any input except V _{DDIO} , V _{BAT} , and V _{BUS} pads	Where V _{DD} represents the voltage applied to the power supply pin associated with the input	−0.3	1.0*V _{DD} + 0.3	V
	DP, DM, ID high voltage short circuit	DP or DM or ID pins short circuited to V _{BUS} supply, in any mode of TUSB1211 operation, continuously for 24hours		5.25	V
	DP, DM, ID low voltage short circuit	DP or DM or ID pins short circuited to GND in any mode of TUSB1211 operation, continuously for 24hours	0		V
	V _{BUS} input		−2	20	V
T _{stg}	Storage temperature range		−55	125	°C
T _A	Ambient temperature range		−40	85	°C
T _J	Junction temperature range	Absolute maximum rating	−40	150	°C

(1) Stresses beyond those listed under “absolute maximum ratings” may cause permanent damage to the device. These are stress ratings only, and functional operation of the device at these or any other conditions beyond those indicated under “recommended operating conditions” is not implied. Exposure to absolute-maximum-rated conditions for extended periods may affect device reliability.

3.2 Recommended Operating Conditions

over operating free-air temperature range (unless otherwise noted)

PARAMETER		TEST CONDITIONS	MIN	TYP	MAX	UNIT
V _{BAT}	Battery supply voltage	VBAT_ACTIVE	2.7	3.6	4.8	V
V _{BAT_CER_T}	Battery supply voltage for USB 2.0 compliancy (USB 2.0 certification)	VBAT_CERT	3.15			V
V _{BAT_DB}	Battery supply voltage for charger detect in “dead-battery condition”	VBAT_DB	2.4			V
V _{DDIO}	IO supply voltage	VDDIO_ACTIVE	1.62	1.8	1.95	V
T _A	Ambient temperature range		−40		85	°C
T _J	Junction temperature	For parametric compliance	−40		125	°C

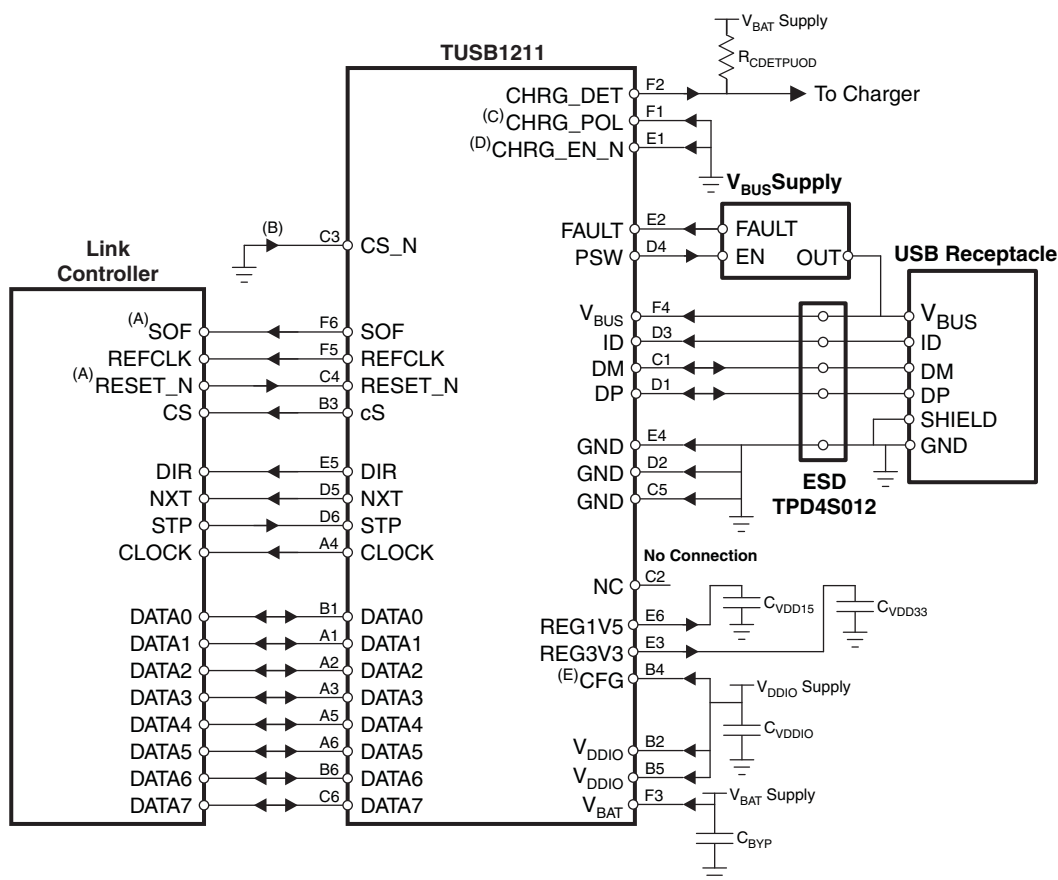
3.3 ESD Electrical Parameters

over operating free-air temperature range (unless otherwise noted)

PARAMETER		TEST CONDITIONS	MIN	TYP	MAX	UNIT
CDM	Charged-Device Model stress voltage (JESD22-C101-A)	All pads			500	V
HBM	Human-Body Model stress voltage (JESD22-A114D)	All pads			2000	V

4 Application Diagram

Figure 4-1 shows the suggested application diagram (Host or OTG, ULPI output-clock mode)



- Optional: SOF (open if unused); RESET_N (tie to V_{DDIO} if unused)
- Link controls chip select via CS pin with CS_N at GND. Alternatively, Link may control CS_N pin with CS pin tied to V_{DDIO} .
- CHRG_DET is active-low (tie CHRG_POL to V_{BAT} for CHRG_DET active high).
- Dead battery charger detection is enabled (tie CHRG_EN_N to V_{BAT} to disable).
- CFG tied to V_{DDIO} for 26 MHz input at REFCLK (tie to GND for 19.2 MHz).

Figure 4-1. USB-OTG with ULPI Output Clock

5 Clock System

5.1 USB PLL Reference Clock

The USB PLL block generates the clocks used to synchronize:

- the ULPI interface (60 MHz clock)
- the USB interface (depending on the USB data rate, 480 Mbps, 12 Mbps or 1.5 Mbps)

TUSB1211 requires an external reference clock which is used as an input to the 480MHz USB PLL block. Depending on the clock configuration, this reference clock can be provided either at REFCLK pin or at CLOCK pin.

By default CLOCK pin is configured as an input.

Two clock configurations are possible:

- Input clock configuration (see [Section 5.1.1](#))
- Output clock configuration (see [Section 5.1.1](#))

5.1.1 ULPI Input Clock Configuration

In this mode REFCLK must be externally tied to GND.

CLOCK remains configured as an input.

When the ULPI interface is used in “input clock configuration”, i.e., the 60 MHz ULPI clock is provided to TUSB1211 on CLOCK pin, then this is used as the reference clock for the 480 MHz USB PLL block.

Table 5-1. Electrical Characteristics: CLOCK Input

PARAMETER	TEST CONDITIONS	MIN	TYP	MAX	UNIT
CLOCK input duty cycle		40		60	%
F _{CLOCK} CLOCK nominal frequency			60		MHz
CLOCK input rise/fall time	In % of CLOCK period T _{CLOCK} (= 1/F _{CLOCK})			10	%
CLOCK input frequency accuracy				250	ppm
CLOCK input integrated jitter				600	ps rms

5.1.2 ULPI Output Clock Configuration

In this mode a reference clock must be externally provided on REFCLK pin.

When an input clock is detected on REFCLK pin then CLOCK will automatically change to an output, i.e., 60 MHz ULPI clock is output by TUSB1211 on CLOCK pin.

Two reference clock input frequencies are supported. REFCLK input frequency is communicated to TUSB1211 via a configuration pin, CFG, see F_{REFCLK} in [Table 5-2](#) for frequency correspondence.

TUSB1211 supports square-wave reference clock input only.

Table 5-2. Electrical Characteristics: REFCLK

PARAMETER	TEST CONDITIONS	MIN	TYP	MAX	UNIT
REFCLK input duty cycle		40		60	%
F _{REFCLK} REFCLK nominal frequency	When CFG pin is tied to GND		19.2		MHz
	When CFG pin is tied to V _{DDIO}		26		
REFCLK input rise/fall time	In % of REFCLK period T _{REFCLK} (= 1/F _{REFCLK})			20	%
REFCLK input freq accuracy				250	ppm
REFCLK input integrated jitter				600	ps rms

6 Power Management

This chapter describes the electrical characteristics of the voltage regulators and timing characteristics of the supplies digitally controlled within the TUSB1211.

6.1 Power Consumption

Table 6-1 describes the power consumption depending on the use cases.

Typical power consumption is obtained in nominal operating conditions of TUSB1211.

Table 6-1. Power Consumption

MODE	CONDITIONS	SUPPLY	TYPICAL POWER CONSUMPTION	UNIT
OFF	$V_{BAT} = 3.6\text{ V}$, $V_{DDIO} = 1.8\text{ V}$, $CS = 0\text{ V}$	I_{VBAT}	8	μA
		I_{VDDIO}	1.8	
		I_{TOTAL}	9.8	
Suspend	$V_{BUS} = 5\text{ V}$, $V_{BAT} = 3.6\text{ V}$, $V_{DDIO} = 1.8\text{ V}$, $V_{CHRG_EN_N} = 0\text{ V}$, no clock	I_{VBAT}	251	μA
		I_{VDDIO}	21	
		I_{TOTAL}	272	
HS USB Mode	$V_{BAT} = 3.6\text{ V}$, $V_{DDIO} = 1.8\text{ V}$, active USB transfer	I_{VBAT}	46.4	mA
		I_{VDDIO}	1.3	
		I_{TOTAL}	47.7	
FS USB Mode	$V_{BAT} = 3.6\text{ V}$, $V_{DDIO} = 1.8\text{ V}$, active USB transfer	I_{VBAT}	31.4	mA
		I_{VDDIO}	1.3	
		I_{TOTAL}	32.7	

6.2 Power Control

6.2.1 Overview

TUSB1211 can be powered up in two different modes:

- Standard power-up condition

For this, V_{BAT} and V_{IO} must be present and chip must be selected ($CS=1$ and $CS_N=0$). See 9.3.3.1 Standard Power-up Timing Power resources will be configured sequentially until the device reaches the power state.

USBON . At this time internal power-on-reset signal PORZ will be released and USB PLL will start up. Once PLL is locked, the DIR output pin will be deasserted allowing TUSB1211 to be configured by the USB Link Controller via the ULPI interface.

Note that by default TUSB1211 will be configured as a Host not providing VBUS as required by register map in ULPI specification Rev1.1.

This is the case because OTG_CONTROL register bits DRVVBUS and DRVVBUSEXTERNAL bits are 0 by default, and DPPULLDOWN, DMPULLDOWN bits are 1 by default such that the 15 k Ω pulldown resistors at DP/DM pins are enabled by default.

It is the responsibility of the link to enable external VBUS supply if required in Host mode, or to reconfigure the PHY if required in Device mode.

- Hardware charger detection power-up

When the chip is not selected ($CS=0$ or $CS_N=1$), but VBUS is present and CHRG_EN_N pin is at GND, and $V_{BAT} > V_{BAT_MNTR}$ then TUSB1211 will power-up in Hardware Charger Detection Mode.

Power resources will be configured sequentially until the device reaches the power state USBON . However since chip is not selected, internal power-on-reset signal PORZ will be not be released and USB PLL will not start up. Instead the device will enter USB Battery charger finite state machine (FSM)

7 USB Transceiver (PHY)

The TUSB1211 device includes a universal serial bus (USB) on-the-go (OTG) transceiver that supports USB 480 Mb/s high-speed (HS), 12 Mb/s full-speed (FS), and USB 1.5 Mb/s low-speed (LS) through a 12-pin UTMI+ low pin interface (ULPI).

Table 7-1. Interface Target Frequencies

IO INTERFACE	INTERFACE DESIGNATION		TARGET FREQUENCY
USB	Universal serial bus	High speed	480 Mbits/s
		Full speed	12 Mbits/s
		Low speed	1.5 Mbits/s

7.1 PHY Overview

The PHY is the physical signaling layer of the USB 2.0. It essentially contains all the drivers and receivers required for physical data and protocol signaling on the DP and DM lines.

The PHY interfaces to the USB controller through a standard 12-pin digital interface called UTMI+ low pin interface (ULPI).

The transmitters and receivers inside the PHY are classified into two main classes.

- The full-speed (FS) and low-speed (LS) transceivers. These are the legacy USB1.x transceivers.
- The HS (HS) transceivers

In order to bias the transistors and run the logic, the PHY also contains reference generation circuitry which consists of:

- A PLL which does a frequency multiplication to achieve the 480-MHz low-jitter clock necessary for USB and also the clock required for the switched capacitor resistance block.
- Internal biasing circuitry

Built-in pullup and pulldown resistors are used as part of the protocol signaling.

Apart from this, the PHY also contains circuitry which protects it from accidental short on the DP and DM lines to 5 V or GND.

8 UART Transceiver

By setting CARKITMODE bit in IFC_CTRL register TUSB1211 will enter UART mode. In this mode, the ULPI data bus is redefined as a 2-pin UART interface, which exchanges data through a direct access to the FS/LS analog transmitter at DM pin and receiver at DP pin.

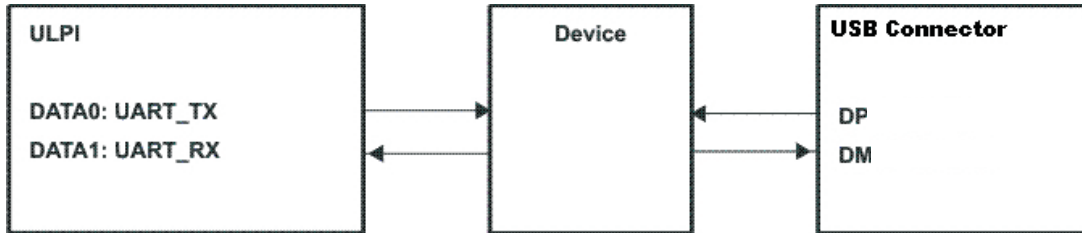


Figure 8-1. USB UART Data Flow

9 USB On-The-Go (OTG) Feature

The on-the-go (OTG) block integrates two main functions:

- ID resistor detection including Accessory Charger Adapter (ACA) detection
- V_{BUS} level detection and SRP pullup/pulldown resistors

10 USB Battery Charger Detection and ACA Feature

In order to support Battery Charging Specification v1.1 April 2009 [BCS v1.1], a charger detection module is included inside TUSB1211 module.

This feature includes:

- Battery charger detection sensing and control on DP/DM lines
- ACA (Accessory Charger Adapter) detection and control on ID line

The detection mechanism aims at distinguishing several types of power sources that can be connected on VBUS line:

- Dedicated Charging Port
- Standard Downstream Port
- Charging Downstream Port

Hardware includes:

- a dedicated voltage referenced pullup on DP line
- a dedicated current controlled pulldown on DM line
- a detection comparator on DM line - a control/detection finite state machine (FSM) including timers
- a charger detection output pin (CHRG_DET) for external charger control
- detection comparators on ID line

ID pin status detection (as defined per OTG v1.3 standard as well as ACA resistor types as described in BCS v1.1) and DP/DM Single-Ended receivers (as defined per USB v2.0 standard) are also used to determine the type of device plugged on USB connector.

USB charger detection is an independent feature, on V_{BAT} supply domain, using CK32K clock.

10.1 USB Battery Charger Detection Modes

There are 3 modes of operation of battery charger detection module:

1. [Hardware Charger Detection Mode](#)
2. [Software Mode](#)
3. [Software FSM Mode](#)

10.2 Accessory Charger Adapter (ACA) Detection

Accessory Charger Adapter (ACA) feature is defined in the USB Battery Charging Specification Rev. 1.1 specification. ACA allows simultaneous connection of a USB Charger or Charging Downstream Port and an Accessory to a portable OTG device (TUSB1211).via only a single USB OTG port.

PACKAGING INFORMATION

Orderable Device	Status ⁽¹⁾	Package Type	Package Drawing	Pins	Package Qty	Eco Plan ⁽²⁾	Lead/ Ball Finish	MSL Peak Temp ⁽³⁾	Samples (Requires Login)
TUSB1211A1ZRQ	ACTIVE	BGA MICROSTAR JUNIOR	ZRQ	36	1	TBD	Call TI	Call TI	
TUSB1211A1ZRQR	ACTIVE	BGA MICROSTAR JUNIOR	ZRQ	36	1500	Green (RoHS & no Sb/Br)	SNAGCU	Level-3-260C-168 HR	

⁽¹⁾ The marketing status values are defined as follows:

ACTIVE: Product device recommended for new designs.

LIFEBUY: TI has announced that the device will be discontinued, and a lifetime-buy period is in effect.

NRND: Not recommended for new designs. Device is in production to support existing customers, but TI does not recommend using this part in a new design.

PREVIEW: Device has been announced but is not in production. Samples may or may not be available.

OBSOLETE: TI has discontinued the production of the device.

⁽²⁾ Eco Plan - The planned eco-friendly classification: Pb-Free (RoHS), Pb-Free (RoHS Exempt), or Green (RoHS & no Sb/Br) - please check <http://www.ti.com/productcontent> for the latest availability information and additional product content details.

TBD: The Pb-Free/Green conversion plan has not been defined.

Pb-Free (RoHS): TI's terms "Lead-Free" or "Pb-Free" mean semiconductor products that are compatible with the current RoHS requirements for all 6 substances, including the requirement that lead not exceed 0.1% by weight in homogeneous materials. Where designed to be soldered at high temperatures, TI Pb-Free products are suitable for use in specified lead-free processes.

Pb-Free (RoHS Exempt): This component has a RoHS exemption for either 1) lead-based flip-chip solder bumps used between the die and package, or 2) lead-based die adhesive used between the die and leadframe. The component is otherwise considered Pb-Free (RoHS compatible) as defined above.

Green (RoHS & no Sb/Br): TI defines "Green" to mean Pb-Free (RoHS compatible), and free of Bromine (Br) and Antimony (Sb) based flame retardants (Br or Sb do not exceed 0.1% by weight in homogeneous material)

⁽³⁾ MSL, Peak Temp. -- The Moisture Sensitivity Level rating according to the JEDEC industry standard classifications, and peak solder temperature.

Important Information and Disclaimer: The information provided on this page represents TI's knowledge and belief as of the date that it is provided. TI bases its knowledge and belief on information provided by third parties, and makes no representation or warranty as to the accuracy of such information. Efforts are underway to better integrate information from third parties. TI has taken and continues to take reasonable steps to provide representative and accurate information but may not have conducted destructive testing or chemical analysis on incoming materials and chemicals. TI and TI suppliers consider certain information to be proprietary, and thus CAS numbers and other limited information may not be available for release.

In no event shall TI's liability arising out of such information exceed the total purchase price of the TI part(s) at issue in this document sold by TI to Customer on an annual basis.

IMPORTANT NOTICE

Texas Instruments Incorporated and its subsidiaries (TI) reserve the right to make corrections, modifications, enhancements, improvements, and other changes to its products and services at any time and to discontinue any product or service without notice. Customers should obtain the latest relevant information before placing orders and should verify that such information is current and complete. All products are sold subject to TI's terms and conditions of sale supplied at the time of order acknowledgment.

TI warrants performance of its hardware products to the specifications applicable at the time of sale in accordance with TI's standard warranty. Testing and other quality control techniques are used to the extent TI deems necessary to support this warranty. Except where mandated by government requirements, testing of all parameters of each product is not necessarily performed.

TI assumes no liability for applications assistance or customer product design. Customers are responsible for their products and applications using TI components. To minimize the risks associated with customer products and applications, customers should provide adequate design and operating safeguards.

TI does not warrant or represent that any license, either express or implied, is granted under any TI patent right, copyright, mask work right, or other TI intellectual property right relating to any combination, machine, or process in which TI products or services are used. Information published by TI regarding third-party products or services does not constitute a license from TI to use such products or services or a warranty or endorsement thereof. Use of such information may require a license from a third party under the patents or other intellectual property of the third party, or a license from TI under the patents or other intellectual property of TI.

Reproduction of TI information in TI data books or data sheets is permissible only if reproduction is without alteration and is accompanied by all associated warranties, conditions, limitations, and notices. Reproduction of this information with alteration is an unfair and deceptive business practice. TI is not responsible or liable for such altered documentation. Information of third parties may be subject to additional restrictions.

Resale of TI products or services with statements different from or beyond the parameters stated by TI for that product or service voids all express and any implied warranties for the associated TI product or service and is an unfair and deceptive business practice. TI is not responsible or liable for any such statements.

TI products are not authorized for use in safety-critical applications (such as life support) where a failure of the TI product would reasonably be expected to cause severe personal injury or death, unless officers of the parties have executed an agreement specifically governing such use. Buyers represent that they have all necessary expertise in the safety and regulatory ramifications of their applications, and acknowledge and agree that they are solely responsible for all legal, regulatory and safety-related requirements concerning their products and any use of TI products in such safety-critical applications, notwithstanding any applications-related information or support that may be provided by TI. Further, Buyers must fully indemnify TI and its representatives against any damages arising out of the use of TI products in such safety-critical applications.

TI products are neither designed nor intended for use in military/aerospace applications or environments unless the TI products are specifically designated by TI as military-grade or "enhanced plastic." Only products designated by TI as military-grade meet military specifications. Buyers acknowledge and agree that any such use of TI products which TI has not designated as military-grade is solely at the Buyer's risk, and that they are solely responsible for compliance with all legal and regulatory requirements in connection with such use.

TI products are neither designed nor intended for use in automotive applications or environments unless the specific TI products are designated by TI as compliant with ISO/TS 16949 requirements. Buyers acknowledge and agree that, if they use any non-designated products in automotive applications, TI will not be responsible for any failure to meet such requirements.

Following are URLs where you can obtain information on other Texas Instruments products and application solutions:

Products

Audio	www.ti.com/audio
Amplifiers	amplifier.ti.com
Data Converters	dataconverter.ti.com
DLP® Products	www.dlp.com
DSP	dsp.ti.com
Clocks and Timers	www.ti.com/clocks
Interface	interface.ti.com
Logic	logic.ti.com
Power Mgmt	power.ti.com
Microcontrollers	microcontroller.ti.com
RFID	www.ti-rfid.com
RF/IF and ZigBee® Solutions	www.ti.com/lprf

Applications

Communications and Telecom	www.ti.com/communications
Computers and Peripherals	www.ti.com/computers
Consumer Electronics	www.ti.com/consumer-apps
Energy and Lighting	www.ti.com/energy
Industrial	www.ti.com/industrial
Medical	www.ti.com/medical
Security	www.ti.com/security
Space, Avionics and Defense	www.ti.com/space-avionics-defense
Transportation and Automotive	www.ti.com/automotive
Video and Imaging	www.ti.com/video
Wireless	www.ti.com/wireless-apps

TI E2E Community Home Page

e2e.ti.com

Mailing Address: Texas Instruments, Post Office Box 655303, Dallas, Texas 75265
Copyright © 2011, Texas Instruments Incorporated