

Low Power DisplayPort™ to LVDS Translator with 24/30-bit Dual or Single-LVDS Output

Features

- DisplayPort Input Interface
 - eDPv1.3 compliant
 - 1/2 Lane high speed differential input with configurable speed: 5.4Gbps, 2.7Gbps or 1.62Gbps
 - Standard AUX channel link up to 1Mbps bandwidth
 - Support resolutions up to WQXGA (2560x1600, 60Hz, 24bpp) with pixel clock frequency up to 270MHz
 - DisplayPort™ mode Spread Spectrum Clock (SSC) support
 - Stereo (3D) video output support
- LVDS Output Interface
 - 8 (10 for ANX1123) BPC LVDS output with single/dual ports
 - Programmable LVDS swing, channel swap and polarity invert
 - LVDS central spectrum spreading with amplitude up to +/-1.75%
 - Improved LVDS backlight control
- Programmable by the DP transmitter through AUX channel, or by local I²C slave.
- 2 Channel Audio with S/PDIF Output (ANX1123 only)
- 3.3V(2.5V) IO power supply, 1.2V(1.0) core power supply
- ESD: HBM 6kV, 200V MM, 1000V CDM
- Low power profile
- 64-eTQFP package is offered for ANX1123
- 64-pin QFN package(8 x 8 mm) is offered for ANX1122
- RoHS compliant and Halogen free package

ANX1122/1123 is a high performance, low power DisplayPort 1.2 to 24/30-bit dual-channel LVDS translator IC. It is designed for notebooks, tablets, all-in-one PCs and LCD monitors.

Analogix eDP-to-LVDS Display Translator Family

- ANX1121 – Generic Single-channel (36 QFN and 64 QFN)
- ANX1122 – Generic Dual-channel (64 QFN)
- ANX1123 – Generic Dual-channel (64 eTQFP)

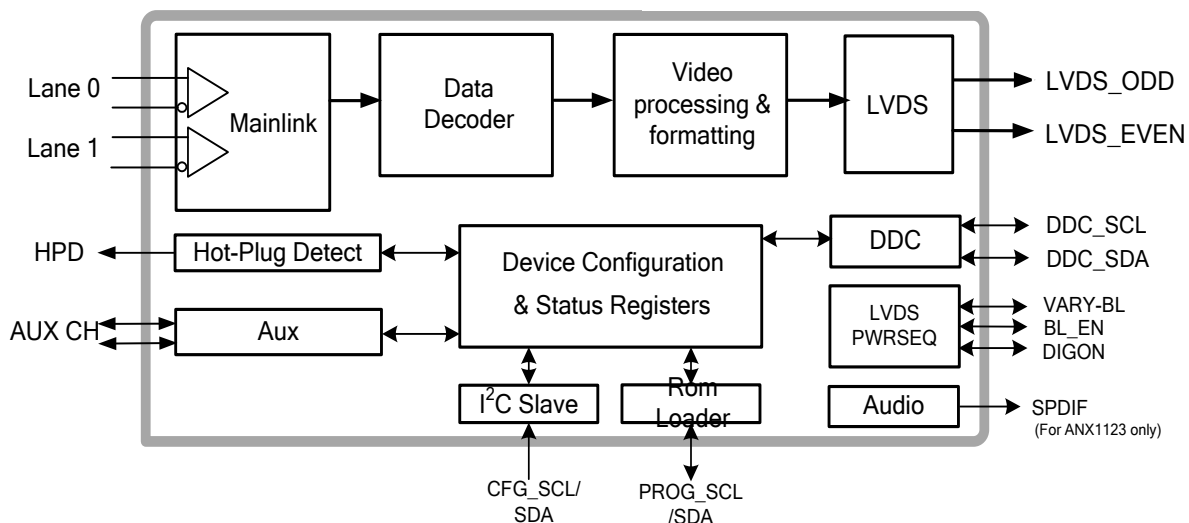


Figure 1: ANX1122/ANX1123 Block Diagram

Parts Ordering Information

Part No.	Description
ANX1122FN-AB-T	DisplayPort™ to LVDS translator with 24-bpp LVDS output (64-pin QFN package)
ANX1123TN-AB-T	DisplayPort™ to LVDS translator with 30-bpp LVDS and audio output (64-pin eTQFP package)

Analogix Related Products

Part No.	Description
ANX1120	Ultra-Low Power DisplayPort Receiver with LVDS Output
ANX1121	Single channel DP to LVDS translator
ANX1122	DisplayPort™ to LVDS translator with 24-bpp LVDS output
ANX1123	DisplayPort™ to LVDS translator with 30-bpp LVDS output
ANX9832	DisplayPort™ to VGA Converter
ANX9830	DisplayPort™ to HDMI Converter

Copyright ©2013 Analogix Semiconductor, Inc.
 3211 Scott Blvd., Suite 103
 Santa Clara, CA 95054, USA

Tel (+1) 408-988-8848

<http://www.analogix.com>

©2013 Analogix Semiconductor, Inc. All Rights reserved.

THE INFORMATION CONTAINED IN THIS DOCUMENT IS PROVIDED "AS IS" WITHOUT ANY EXPRESS REPRESENTATIONS OF WARRANTIES. IN ADDITION, ANALOGIX SEMICONDUCTOR INC. DISCLAIMS ALL IMPLIED REPRESENTATIONS AND WARRANTIES, INCLUDING ANY WARRANTY OF MERCHANTABILITY, FITNESS FOR A PARTICULAR PURPOSE, OR NON-INFRINGEMENT OF THIRD PARTY INTELLECTUAL PROPERTY RIGHTS. SPECIFICATION IS SUBJECT TO CHANGE WITHOUT NOTICE.

This document contains proprietary information of Analogix Semiconductor, Inc. or under license from third parties. No part of this document may be reproduced in any form or by any means or transferred to any third party without the prior written consent of Analogix Semiconductor, Inc. The information contained in this document is not designed or intended for use in on-line control of aircraft, aircraft navigation or aircraft communications; or in the design, construction, operation or maintenance of any nuclear facility. Analogix disclaims any express or implied warranty of fitness for such uses.

Analogix Semiconductor, Inc., the Analogix Logo, and WideEye™ SerDes, SlimPort™ and CoolSP™ are trademarks of Analogix Semiconductor, Inc., in the United States and other countries. HDMI, the HDMI logo and High-Definition Multimedia Interface are trademarks or registered trademarks of HDMI Licensing LLC. DisplayPort™ and the DisplayPort™ logo are trademarks or registered trademarks of the Video Electronics Standards Association, VESA®. All other trademarks and registered trademarks are the property of their respective owners.